

Client Evaluation Form

Client Name _____

D.O.B. ____ / ____ / ____ Height _____ Weight _____

Comments _____

WHEELCHAIR _____

SEATING

- AS4000 (Basic Modular Seat)
- AS5000 (Contoured Modular Seat)
- MB4000 (Contoured Modular Back)
- FP5500 (Foam-In-Place Seating System)
- PF6100 (Custom Plywood & Foam Seat)
- PF6200 (Custom Plywood & Foam Back)
- GP1700 (General Purpose Back)
- CB2000 (Contoured Back)
- DC2200 (Deep Contoured Back)
- PR1600 or PR1800 (Pressure Relief Cushion)
- SS1000 (Solid Seat)

HEADREST

- Contoured Headrest
- Adjustable Winged Headrest
- P.L.O.S.H. (Posterior Lateral Occipital Support Headrest)
- P.L.S.H. (Posterior Lateral Support Headrest)
- H.A.W.C. (Head-Support Adjustable Wing Collar)
- Occipital Ring
- Occipital Angle Bar
- Occipital T-Bar
- Swingaway Mounting
- Multi-Axis Hardware

ANTERIOR TRUNK SUPPORT

- R.A.T.S. (Rigid Anterior Trunk Support)
- Swingaway Mounting
- Multi-Axis Hardware
- Vests (Standard/Narrow)
- Backpack Straps

LATERAL THORACIC SUPPORT

- Slideaway Mounting
- Rear Swing Mounting
- Front Swing Mounting

PELVIS

- Subasis Bar
- Seat Belt

HIP/LATERAL THIGH

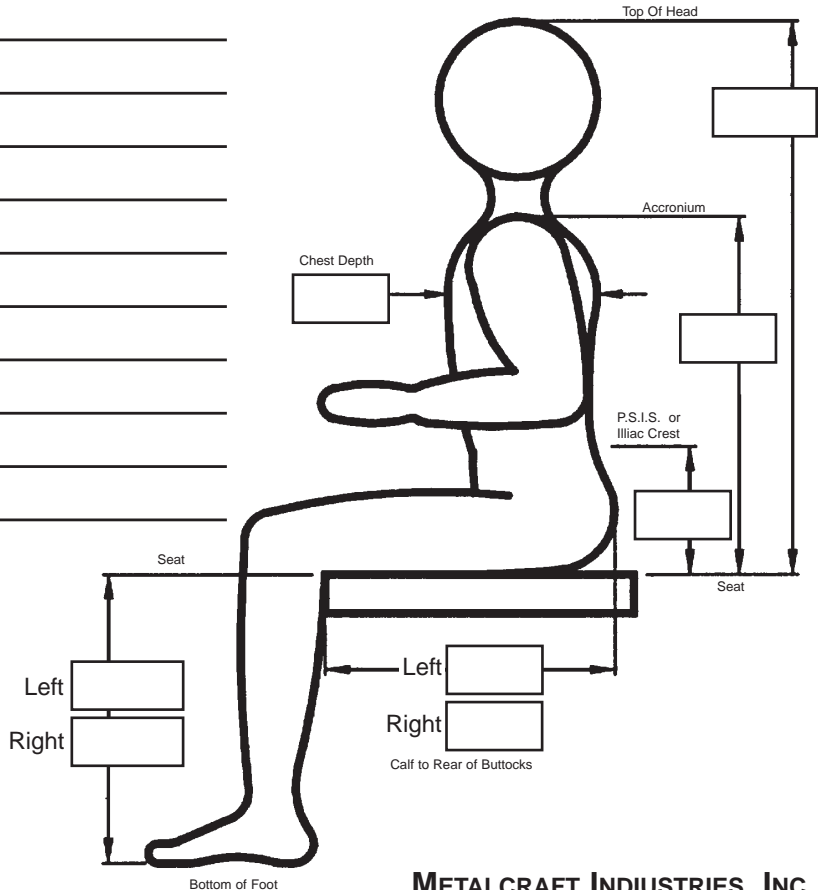
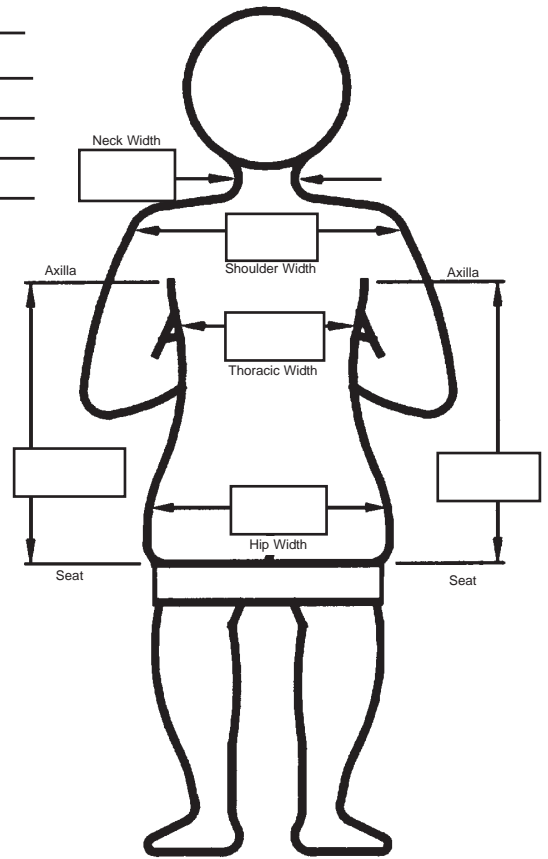
- Oval Hip Pads
- Straight Hip Pads
- Adductor Pads
- Removable Pad Brackets

ABDUCTOR/MEDIAL THIGH

- Wedge Pad
- Contoured Pads
- Slideaway Mounting
- Swingaway Mounting

FOOT

- Shoe Holders



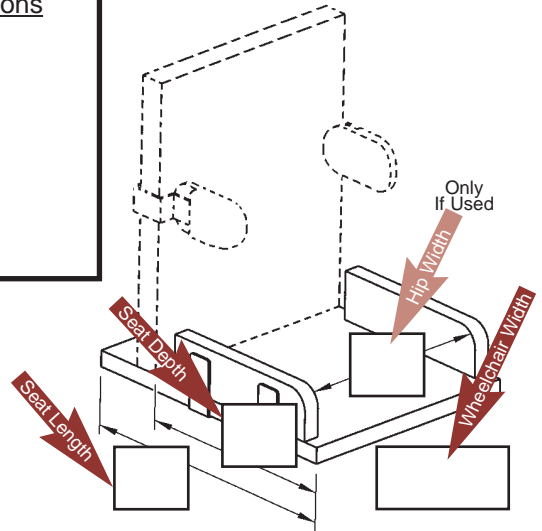
Step 1 : Basic Information (Must Complete)

Things You Should Know About This Form

- All Hardware Is Black Powder Coated Stainless Steel.
- Items With Part #'s Have Additional Cost Except Where Noted.

- Fixed Hardware (Standard is Adjustable)
- Transit/Transport Hardware #6112 (Adjustable ONLY)
- Clamp Size _____" (Standard is 7/8" to 1")
- Non Zippered Cover (Standard is Zippered)
- Complete T-Nut Upgrade.....#6110
- Velcro Bottom - NO HARDWARE.....#6111 (\$ Credit)

Special Instructions



Choose One
And Fill Out
Dimension

Full Width Lift _____" (1/2" Min)

Drop-In Drop _____" Lift _____"

VINYL FABRIC CHOICES

- Black Red Blue
- Pink Silver Maroon

NEOPRENE FABRIC CHOICES

- Black Red Blue
- Pink Silver Maroon

Step 2 : Foam Layers (Must Complete)

- Standard Foam, (2) 1" Layers Medium Poly (Skip To Step 3)
- Standard Foam PLUS Additional Top Layer (Pick Additional Top Layer Below)
- Custom Foam Layers (Pick Custom Layers Below)

Poly Foam

Visco-Elastic Foam

	Soft		Medium		Firm		Soft		Medium		Firm	
Layers	1/2"	1"	1/2"	1"	1/2"	1"	1/2"	1"	1/2"	1"	1/2"	1"
Top												
Middle												
Bottom												
Part Number	6001	6002	6003	6004	6005	6006	6011	6012	6013	6014	6015	6016

Important Note

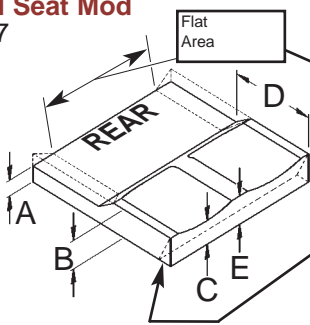
If Ordering From The Foam Modifications Below, Please Be Aware That Dimension "A" Below Must Equal The Sum Of The Layers Chosen In This Section.

Optional Step 3 : Foam Shape Modifications

(Foam Only Dimensions)

Contoured Seat Mod
Part # 6107

- A _____
- B _____
- C _____
- D _____
- E _____



These Options Are Only Available On Contoured & Anti-Thrust Seats

Lateral Build-Up

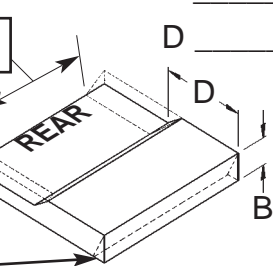
Part # 6109

Tight Hamstring/Calf Relief

Part # 6108

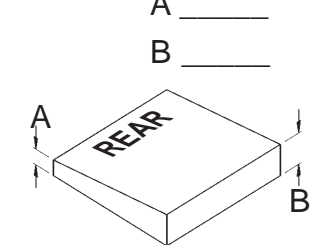
Anti-Thrust Seat Mod

Part # 6106



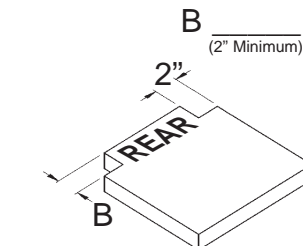
Seat w/Wedge Mod

Part # 6105

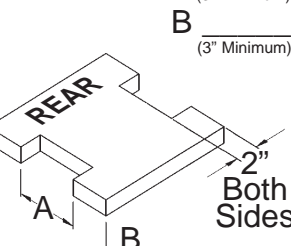


Optional Step 4 : Plywood Shape Modifications

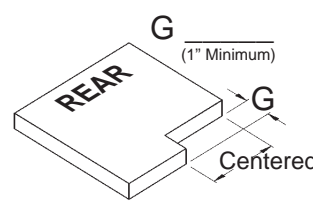
Seat w/Notches Mod
Part # 6101 (No Additional Cost)



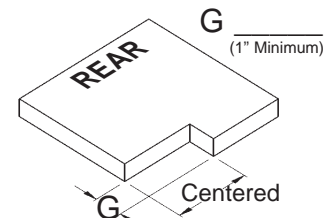
I-Seat Mod
Part # 6102



Left Leg Discrepancy Mod
Part # 6103



Right Leg Discrepancy Mod
Part # 6104



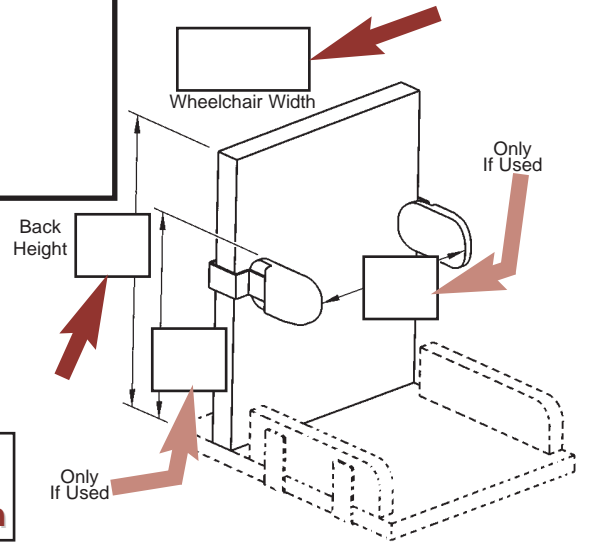
Step 1 : Basic Information (Must Complete)

Things You Should Know About This Form

- All Hardware Is Black Powder Coated Stainless Steel.
- Items With Part #'s Have Additional Cost Except Where Noted.

- Fixed Hardware (Standard is Adjustable)
- Transit/Transport Hardware #6212 (Adjustable ONLY)
- Clamp Size _____" (Standard is 7/8" to 1")
- No Zipper Cover (Standard is Zippered)
- Complete T-Nut Upgrade.....#6210

Special Instructions



Choose One Seat/Back Hinge Brkt....#6220
 Mount Separately From Seat

Choose One And Fill Out Dimension(s)
 Full Width In-Front _____" (1/2" Min)
 Drop-In Behind _____" In-Front _____"

- VINYL FABRIC CHOICES**
- Black Red Blue
 - Pink Silver Maroon

- NEOPRENE FABRIC CHOICES**
- Black Red Blue
 - Pink Silver Maroon

Step 2 : Foam Layers (Must Complete)

- Standard Foam, 1" Medium Poly Foam (Skip To Step 3)
- Standard Foam PLUS Additional Top Layer (Pick Additional Top Layer Below)
- Custom Foam Layers (Pick Custom Layers Below)

Poly Foam

Visco-Elastic Foam

Layers	Soft		Medium		Firm		Soft		Medium		Firm	
	1/2"	1"	1/2"	1"	1/2"	1"	1/2"	1"	1/2"	1"	1/2"	1"
Top												
Middle												
Bottom												
Part Number	6001	6002	6003	6004	6005	6006	6011	6012	6013	6014	6015	6016

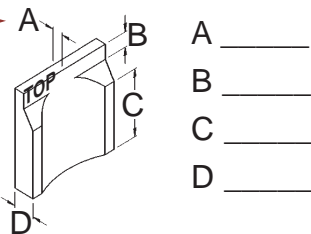
Important Note

If Ordering From The Foam Modifications Below, Please Be Aware That Dimension "A" Must Equal The Sum Of The Layers Chosen In These Boxes.

Optional Step 3: Foam Shape Modifications (Foam Only Dimensions)

Contoured Back Mod Part # 6202

Contoured Shape Is Fabricated From Closed Cell Foam Which Is Covered By The Layers Of Foam You Choose (See Choices Above)



Optional Step 5: Custom Monogramming

Part # X21501-03-XX-U.....Add 10 Days

Thread Color
(Circle Choice) Silver, Gold, Black, Red, Blue, Pink

Print Style
(Circle Choice) **Block Script**

Caps Choice
(Circle Choice) **ALL CAPS Only First Letter**

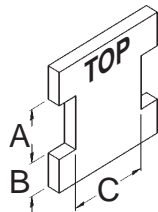
Name to be monogrammed (Please write clearly)

Please Use Black or Blue Ink (Red Ink Not Visible In Fax)

Optional Step 4: Plywood Shape Modifications

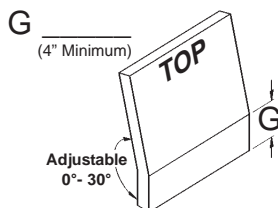
I-Back Mod Part # 6201

- A _____ (3" Minimum)
- B _____ (3" Minimum)
- C _____ (6" Minimum)



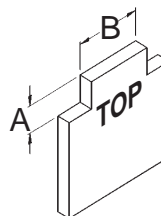
Adjustable Bi-Angular Back Mod Part # 6203

- G _____ (4" Minimum)



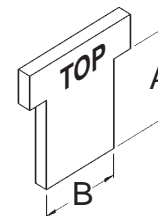
Scapular Relief Mod Part # 6204

- A _____ (2" Minimum)
- B _____ (4" Minimum)



T-Back Mod Part # 6205

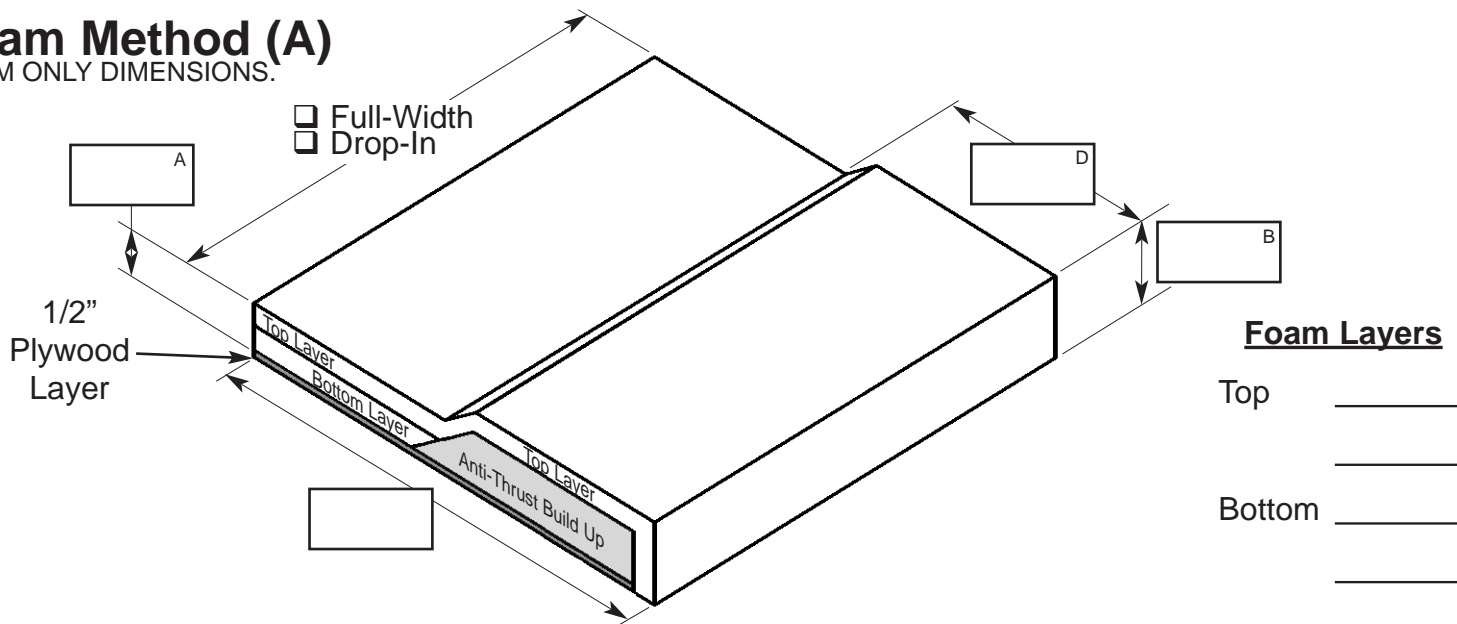
- A _____ (2" Minimum)
- B _____ (7 1/2" Minimum)



Anti-Thrust Seat Modification Part #6106

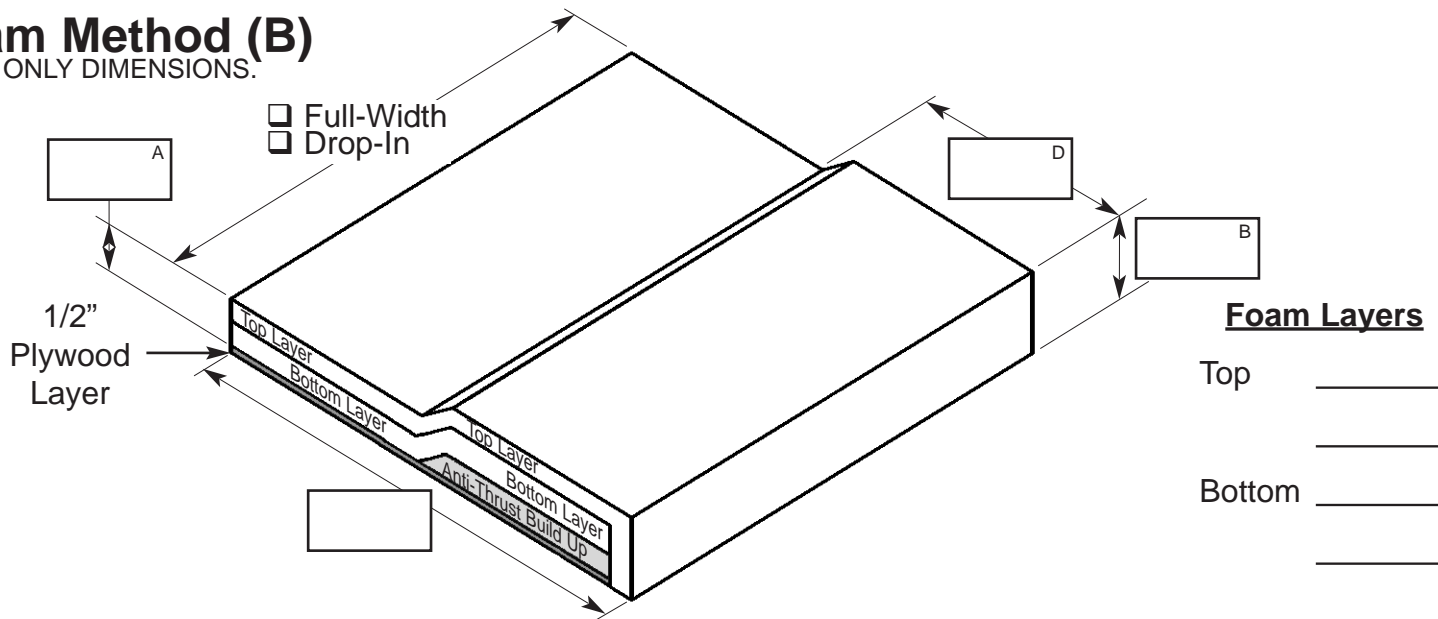
Foam Method (A)

FOAM ONLY DIMENSIONS.



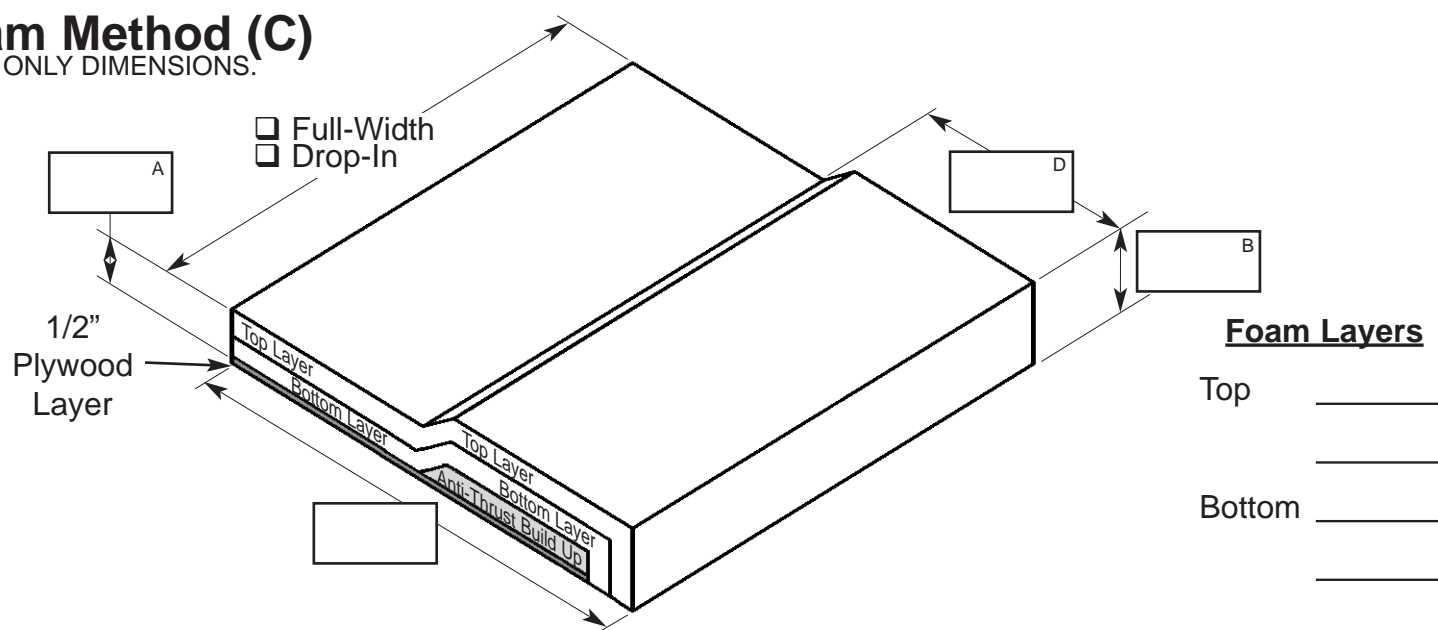
Foam Method (B)

FOAM ONLY DIMENSIONS.



Foam Method (C)

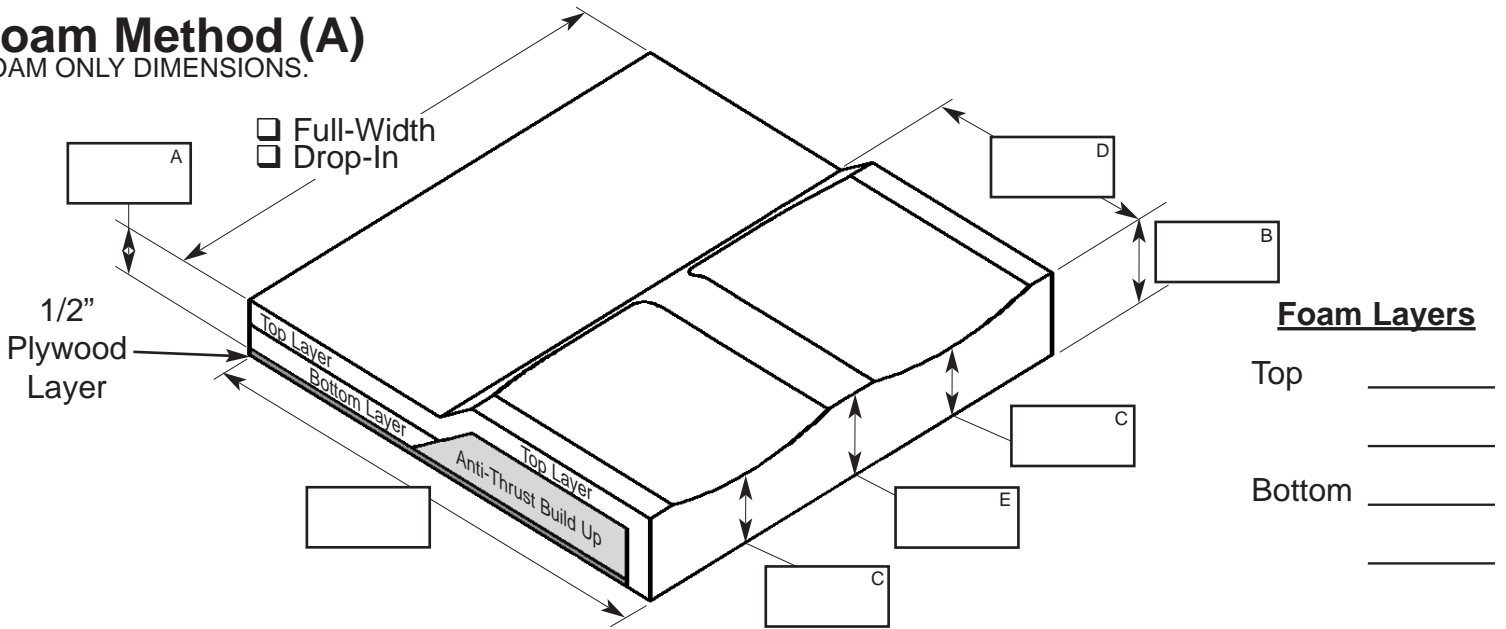
FOAM ONLY DIMENSIONS.



Contoured Seat Modification Part #6107

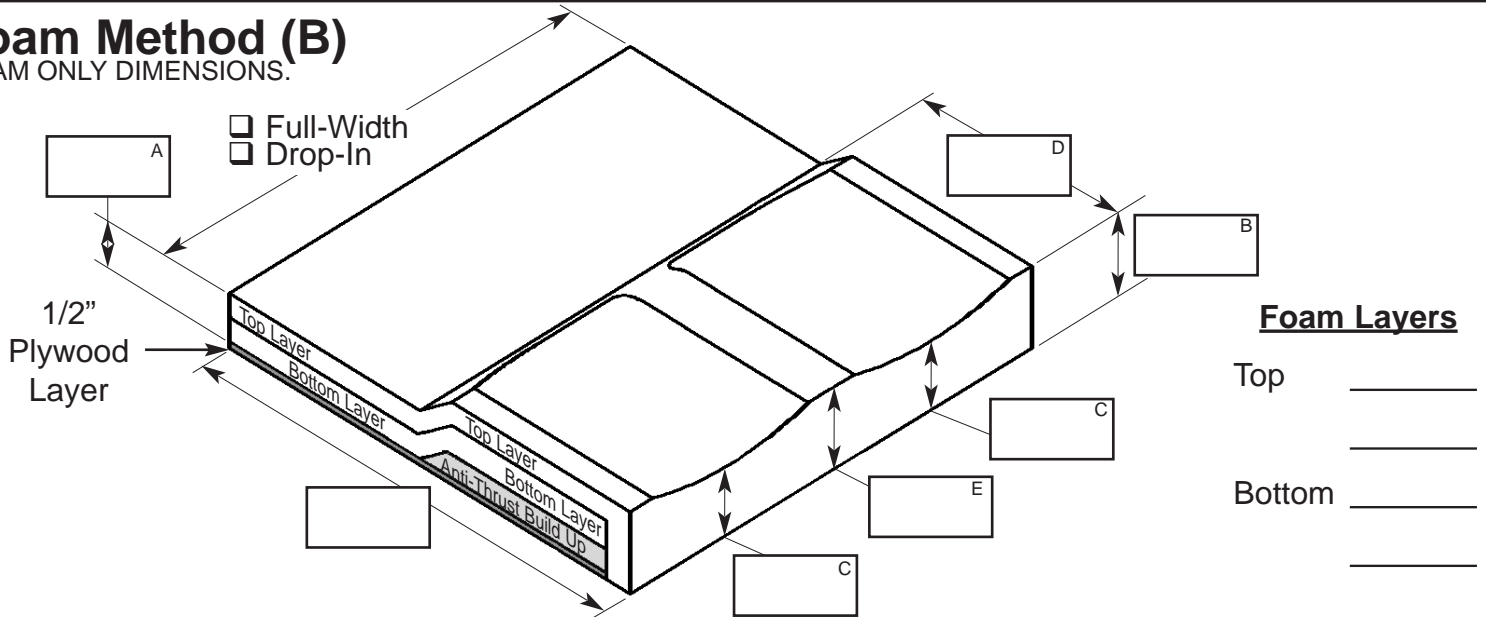
Foam Method (A)

FOAM ONLY DIMENSIONS.



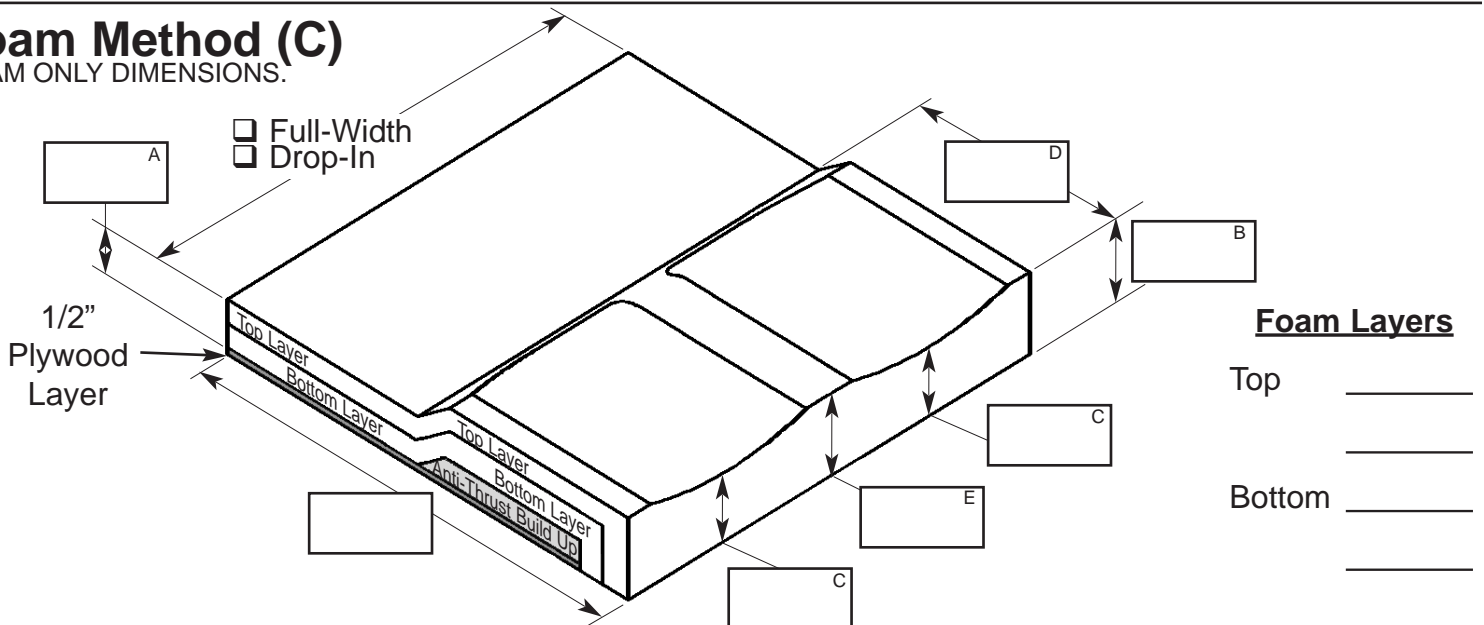
Foam Method (B)

FOAM ONLY DIMENSIONS.

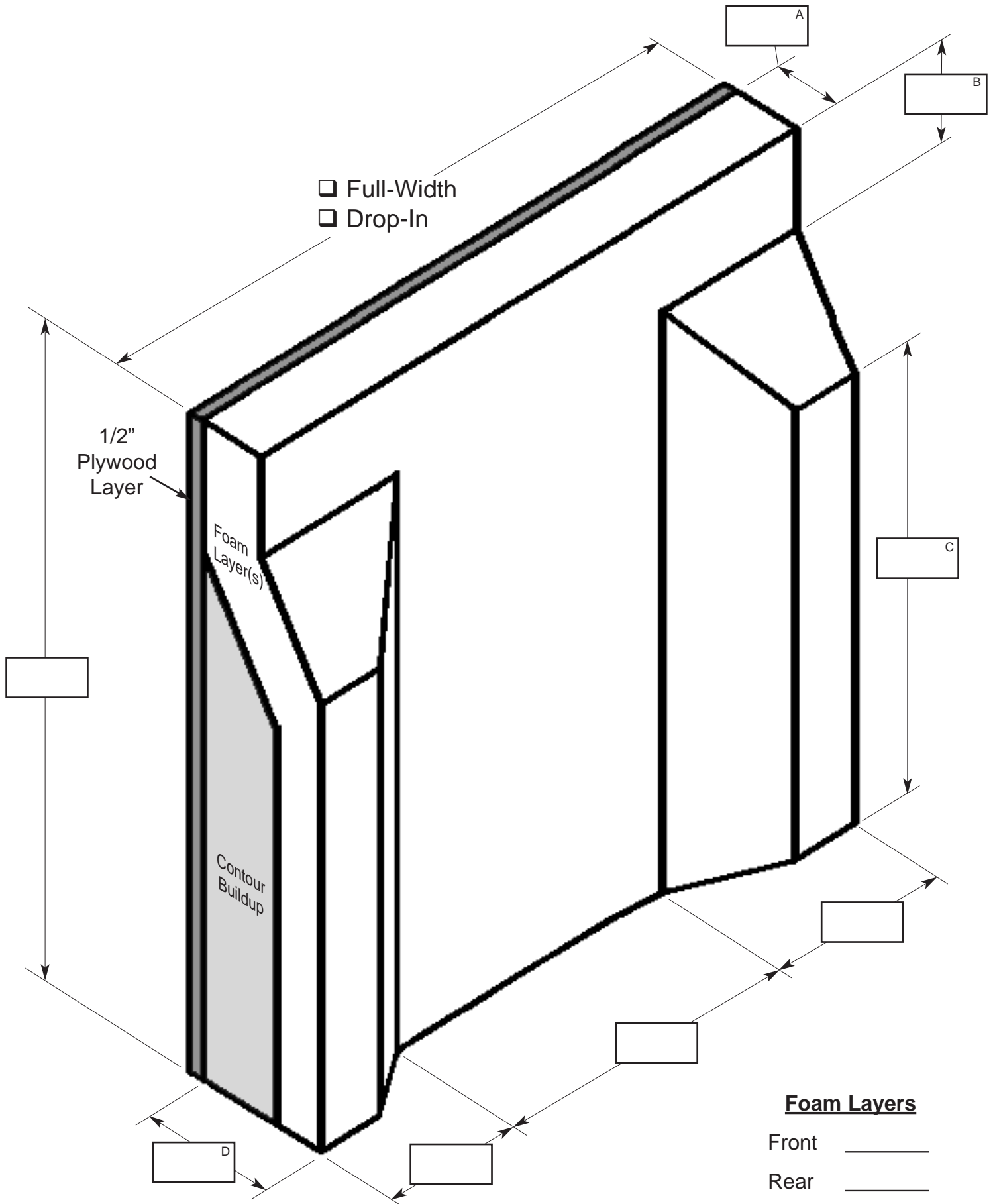


Foam Method (C)

FOAM ONLY DIMENSIONS.



Contoured Back Modification Part #6202



Head Positioning

Contoured Headrest Kits (CHR)

- 5340 Small Contoured Headrest **CHR** w/Mtg Hdw (5"X9½")
- 5341 Large Contoured Headrest **CHR** w/Mtg Hdw (5½"X11½")
- 5342 X-Large Contoured Headrest **CHR** w/Mtg Hdw (5½"X14")

Posterior Lateral Support Headrest Kits (PLSH)

- 5480-20 14" **PLSH** w/Mtg Hdw
- 5480-30 16" **PLSH** w/Mtg Hdw
- 5480-40 18" **PLSH** w/Mtg Hdw

Posterior Lateral Occipital Support Headrest Kits (PLOSH)

- 5371 14" **PLOSH** w/Mtg Hdw
- 5372 16" **PLOSH** w/Mtg Hdw
- 5373 18" **PLOSH** w/Mtg Hdw

Occipital Rings/Rigid Anterior Trunk Support Kits (OCR)

- 5350 Small Child Occipital Ring **OCR** w/Mtg Hdw
- 5351 Large Child Occipital Ring **OCR** w/Mtg Hdw
- 5352 Small Adult Occipital Ring **OCR** w/Mtg Hdw
- 5353 Large Adult Occipital Ring **OCR** w/Mtg Hdw
- 5380 **Add-On Kit**, Small Child Occipital Ring **OCR** w/Mtg Hdw
- 5381 **Add-On Kit**, Large Child Occipital Ring **OCR** w/Mtg Hdw
- 5382 **Add-On Kit**, Small Adult Occipital Ring **OCR** w/Mtg Hdw
- 5383 **Add-On Kit**, Large Adult Occipital Ring **OCR** w/Mtg Hdw

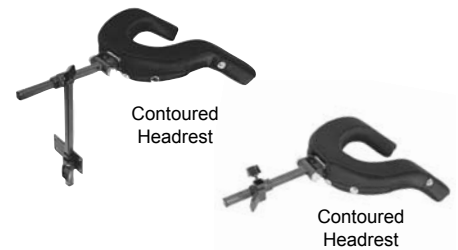
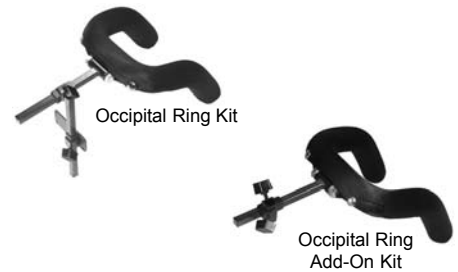
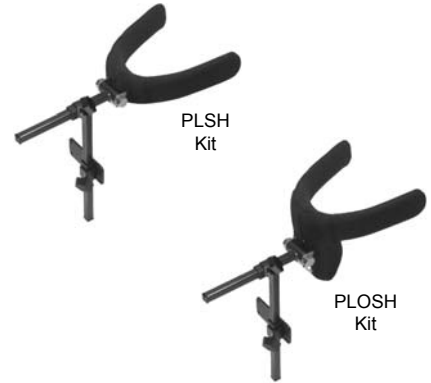
Head-Support Adjustable Wing Collar Kits (HAWC)

- 5461 Small **HAWC** w/Mtg Hdw
- 5462 Medium **HAWC** w/Mtg Hdw
- 5463 Large **HAWC** w/Mtg Hdw
- 5464 X-Large **HAWC** w/Mtg Hdw
- 5465 XX-Large **HAWC** w/Mtg Hdw
- 5471 **Add-On Kit**, Small **HAWC** w/Mtg Hdw
- 5472 **Add-On Kit**, Medium **HAWC** w/Mtg Hdw
- 5473 **Add-On Kit**, Large **HAWC** w/Mtg Hdw
- 5474 **Add-On Kit**, X-Large **HAWC** w/Mtg Hdw
- 5475 **Add-On Kit**, XX-Large **HAWC** w/Mtg Hdw

- 1638-10 Small Chin Roll
 - 1638-20 Large Chin Roll
- (See Catalog Page 5-4 For Chin Roll Information)

Options (SUBstitutions)

- 9901-U Swingaway Bracket, Mounting Upgrade
- 9906-U Multi-Axis Head Positioning Pad Mount, Upgrade
- 9907-U Multi-Axis Add-On Pad Mount, Upgrade
- 9908-U Multi-Axis Vertical Tube, Upgrade
- 9920-1-U Track Upgrade, Single



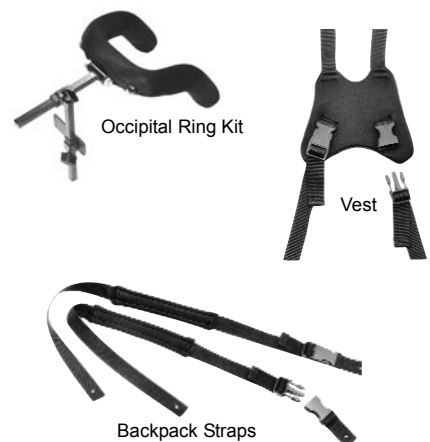
Anterior Trunk Positioning

Occipital Rings/Rigid Anterior Trunk Support Kits (OCR)

- 5350 Small Child Occipital Ring **OCR** w/Mtg Hdw
- 5351 Large Child Occipital Ring **OCR** w/Mtg Hdw
- 5352 Small Adult Occipital Ring **OCR** w/Mtg Hdw
- 5353 Large Adult Occipital Ring **OCR** w/Mtg Hdw

Flexible Anterior Trunk Support Kits

- 5300 Small Vest
- 5301 Medium Vest
- 5302 Large Vest
- 5305 Small Vest, w/Padded Shoulder Straps
- 5306 Medium Vest, w/Padded Shoulder Straps
- 5307 Large Vest, w/Padded Shoulder Straps
- 5310 Backpack Straps, pr, 1", Small (31")
- 5311 Backpack Straps, pr, 1", Medium (36")



Lateral Thoracic Positioning (LTP)

Slideaway Thoracic Pad Kits

- 6320 Small Slideaway Lateral Pair Kit (3" X 4½")
- 6320S Small Slideaway Lateral **LTP** Single Kit (3" X 4½")
- 6321 Medium Slideaway Lateral Pair Kit (3½" X 6")
- 6321S Medium Slideaway Lateral **LTP** Single Kit (3½" X 6")
- 6322 Large Slideaway Lateral Pair Kit (4½" X 7½")
- 6322S Large Slideaway Lateral **LTP** Single Kit (4½" X 7½")

Lift-Up Swingaway Thoracic Pad Kits

- 6330 Small Lift-Up Swingaway Lateral Pair Kit (3" X 4½")
- 6330L Small Lift-Up Swingaway Lateral **LTP** Left Kit (3" X 4½")
- 6330R Small Lift-Up Swingaway Lateral **LTP** Right Kit (3" X 4½")
- 6331 Medium Lift-Up Swingaway Lateral Pair Kit (3½" X 6")
- 6331L Medium Lift-Up Swingaway Lateral **LTP** Left Kit (3½" X 6")
- 6331R Medium Lift-Up Swingaway Lateral **LTP** Right Kit (3½" X 6")
- 6332 Large Lift-Up Swingaway Lateral Pair Kit (4½" X 7½")
- 6332L Large Lift-Up Swingaway Lateral **LTP** Left Kit (4½" X 7½")
- 6332R Large Lift-Up Swingaway Lateral **LTP** Right Kit (4½" X 7½")

Button-Release Swingaway Thoracic Pad Kits

- 6335 Small Button-Release Swingaway Lateral Pair Kit (3" X 4½")
- 6335L Small Button-Release Swingaway Lateral **LTP** Left Kit (3" X 4½")
- 6335R Small Button-Release Swingaway Lateral **LTP** Right Kit (3" X 4½")
- 6336 Medium Button-Release Swingaway Lateral Pair Kit (3½" X 6")
- 6336L Medium Button-Release Swingaway Lateral **LTP** Left Kit (3½" X 6")
- 6336R Medium Button-Release Swingaway Lateral **LTP** Right Kit (3½" X 6")
- 6337 Large Button-Release Swingaway Lateral Pair Kit (4½" X 7½")
- 6337L Large Button-Release Swingaway Lateral **LTP** Left Kit (4½" X 7½")
- 6337R Large Button-Release Swingaway Lateral **LTP** Right Kit (4½" X 7½")

Options (SUBstitutions)

- 9902-1-U Extra Soft Pads, Single, Upgrade
- 9902-2-U Extra Soft Pads, Pair, Upgrade
- 9920-1-U Track Upgrade, Single
- 9920-2-U Track Upgrade, Pair



Slideaway



Lift-Up Swingaway



NEW Button-Release Swingaway

See Catalog
Pages 7-8 For
Information

Pelvic Positioning

Subasis Bar Kits

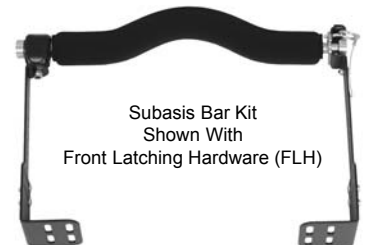
- 6230 Swg **SUBASIS**, RLH, w/Seat Mtg Hdw
- 6231 Swg **SUBASIS**, FLH, w/Seat Mtg Hdw

Options (SUBstitutions, MODifications)

- X22510-01-21-U Straight Subasis Bar, SUB
- X22510-02-21-U Custom Offset Midrelief Subasis Bar, MOD (5 Days)
Offset Left _____" Of fset Right _____"
- X22510-03-21-U X-Deep Subasis Bar, MOD (5 Days)
- 9920-2-U Track Upgrade, Pair

Lap Belts

- 5200 1" Seat Belt, Plastic Buckle
- 5201 2" Seat Belt, Push Button, Metal Buckle



Subasis Bar Kit
Shown With
Front Latching Hardware (FLH)



2"

1"

Hip/Lateral Thigh Positioning

Hip Pad Kits (SHP)

- 6244 Straight Hip Pads, Pair, X-Small (7½")
 - 6244L Straight Hip Pad **SHP**, Left, X-Small (7½")
 - 6244R Straight Hip Pad **SHP**, Right, X-Small (7½")
- 6245 Straight Hip Pads, Pair, Small (9")
 - 6245L Straight Hip Pad **SHP**, Left, Small (9")
 - 6245R Straight Hip Pad **SHP**, Right, Small (9")
- 6246 Straight Hip Pads, Pair, Medium (12")
 - 6246L Straight Hip Pad **SHP**, Left, Medium (12")
 - 6246R Straight Hip Pad **SHP**, Right, Medium (12")
- 6247 Straight Hip Pads, Pair, Large (14")
 - 6247L Straight Hip Pad **SHP**, Left, Large (14")
 - 6247R Straight Hip Pad **SHP**, Right, Large (14")
- 6248 Straight Hip Pads, Pair, X-Large (17")
 - 6248L Straight Hip Pad **SHP**, Left, X-Large (17")
 - 6248R Straight Hip Pad **SHP**, Right, X-Large (17")

Oval Hip Pad Kits (OHP)

- 6240 Oval Hip Pads, Pair, Small (3½"X5")
 - 6240S Oval Hip Pad **OHP**, Single, Small (3½"X5")
- 6241 Oval Hip Pads, Pair, Large (4½"X6")
 - 6241S Oval Hip Pad **OHP**, Single, Large (4½"X6")

Adductor Pad Kits (ADP)

- 6260 Adductor Pads, Pair, Small (3½"X4½")
 - 6260S Adductor Pad **ADP**, Single, Small (3½"X4½")
- 6261 Adductor Pads, Pair, Large (4½"X5")
 - 6261S Adductor Pad **ADP**, Single, Large (4½"X5")

Options

- 9910-U Removable Hip Pad Bracket, Flat Seat, Pair
- 9910L-U Removable Hip Pad Bracket, Flat Seat, Left Side
- 9910R-U Removable Hip Pad Bracket, Flat Seat, Right Side

Straight Hip Pads



Oval Hip Pads



Adductor Pads



Abduction Positioning

Slideaway Abductor Kits

- 5270 Small Slideaway Wedge Pad **WPA** Kit
- 5271 Large Slideaway Wedge Pad **WPA** Kit
- 5280 Small Slideaway Contoured Pad **CPA** Kit (3"X4½")
- 5281 Medium Slideaway Contoured Pad **CPA** Kit (3½"X6")
- 5282 Large Slideaway Contoured Pad **CPA** Kit (4½"X7½")

Swingaway Abductor Kits

- 5290 Small Swingaway Wedge Pad **WPA** Kit
- 5291 Large Swingaway Wedge Pad **WPA** Kit
- 5295 Small Swingaway Contoured Pad **CPA** Kit (3"X4½")
- 5296 Medium Swingaway Contoured Pad **CPA** Kit (3½"X6")
- 5297 Large Swingaway Contoured Pad **CPA** Kit (4½"X7½")

Options (SUBstitutions, FABrications, MODifications)

- 9902-2-U Extra Soft Pads, Pair, Upgrade (Use only with Contoured Pads)
 - 9903-2-U Slideaway Adj. Width Mtg Brkt, Short Vertical, Substitution
 - 9904-2-U Swingaway Adj. Width Mtg Brkt, Short Vertical/Short Tail, Substitution
 - 9904-3-U Swingaway Adj. Width Mtg Brkt, Short Vertical/Tall Tail, Substitution
 - 9904-4-U Swingaway Adj. Width Mtg Brkt, Tall Vertical/Tall Tail, Substitution
 - X23500-01-00-U Custom Abduction Wedge, FAB (2 Weeks)
- (Please include fabrication form, located in the catalog fabrication section, for all FAB's)

Wedge Pad Abductors



Adjustable Width Contoured Pad Abductors

