

# Client Evaluation Form

Client Name \_\_\_\_\_

D.O.B. \_\_\_\_ / \_\_\_\_ / \_\_\_\_ Height \_\_\_\_\_ Weight \_\_\_\_\_

Comments \_\_\_\_\_

\_\_\_\_\_

\_\_\_\_\_

\_\_\_\_\_

**WHEELCHAIR** \_\_\_\_\_

**SEATING**

- AS4000 (Basic Modular Seat)
- AS5000 (Contoured Modular Seat)
- MB4000 (Contoured Modular Back)
- FP5500 (Foam-In-Place Seating System)
- PF6100 (Custom Plywood & Foam Seat)
- PF6200 (Custom Plywood & Foam Back)
- GP1700 (General Purpose Back)
- CB2000 (Contoured Back)
- DC2200 (Deep Contoured Back)
- PR1600 or PR1800 (Pressure Relief Cushion)
- SS1000 (Solid Seat)

**HEADREST**

- Contoured Headrest
- Adjustable Winged Headrest
- P.L.O.S.H. (Posterior Lateral Occipital Support Headrest)
- P.L.S.H. (Posterior Lateral Support Headrest)
- H.A.W.C. (Head-Support Adjustable Wing Collar)
- Occipital Ring
- Occipital Angle Bar
- Occipital T-Bar
- Swingaway Mounting
- Multi-Axis Hardware

**ANTERIOR TRUNK SUPPORT**

- R.A.T.S. (Rigid Anterior Trunk Support)
- Swingaway Mounting
- Multi-Axis Hardware
- Vests (Standard/Narrow)
- Backpack Straps

**LATERAL THORACIC SUPPORT**

- Slideaway Mounting
- Rear Swing Mounting
- Front Swing Mounting

**PELVIS**

- Subasis Bar
- Seat Belt

**HIP/LATERAL THIGH**

- Oval Hip Pads
- Straight Hip Pads
- Adductor Pads
- Removable Pad Brackets

**ABDUCTOR/MEDIAL THIGH**

- Wedge Pad
- Contoured Pads
- Slideaway Mounting
- Swingaway Mounting

**FOOT**

- Shoe Holders

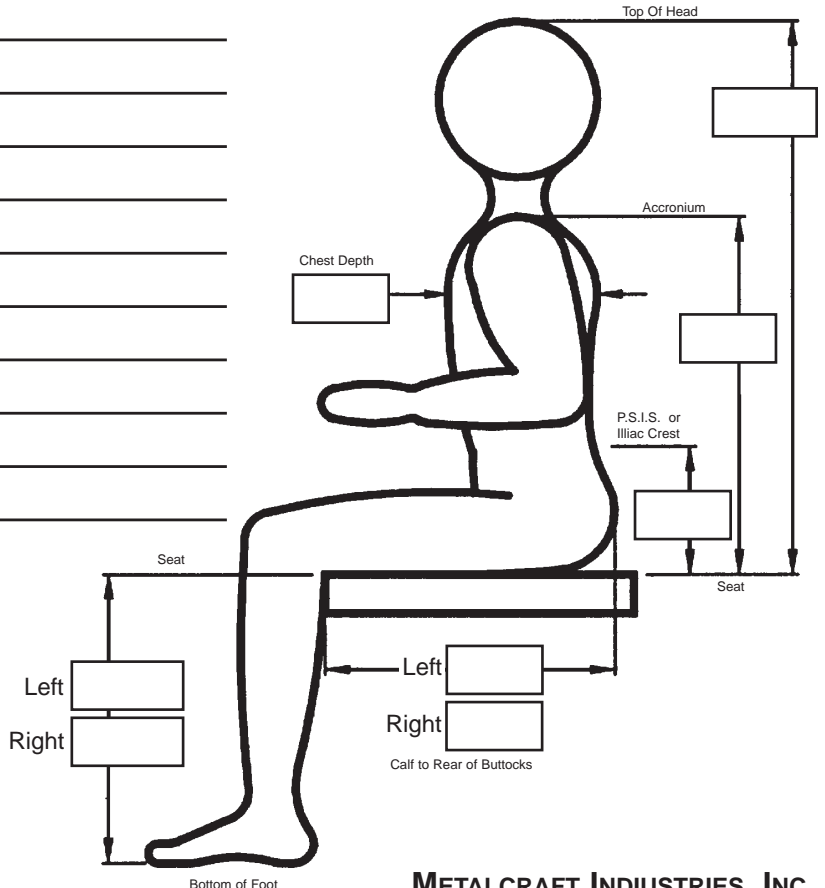
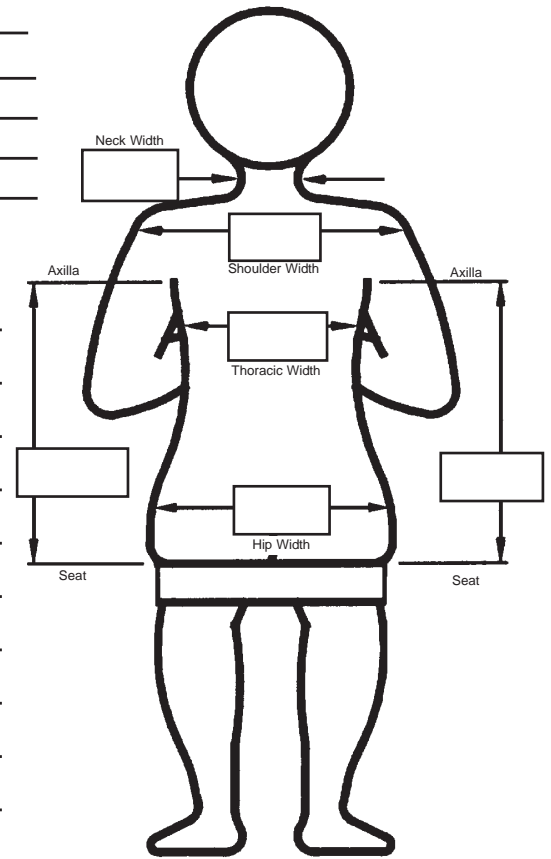
\_\_\_\_\_

\_\_\_\_\_

\_\_\_\_\_

\_\_\_\_\_

\_\_\_\_\_



Name \_\_\_\_\_

Age \_\_\_\_\_ Weight \_\_\_\_\_

**WHEELCHAIR INFORMATION**

Make/Model \_\_\_\_\_ Color \_\_\_\_\_

Wheelchair Size: Width \_\_\_\_\_ Depth \_\_\_\_\_

Tube Size: Seat Tube \_\_\_\_\_ BackTube \_\_\_\_\_

\_\_\_\_\_

\_\_\_\_\_

\_\_\_\_\_

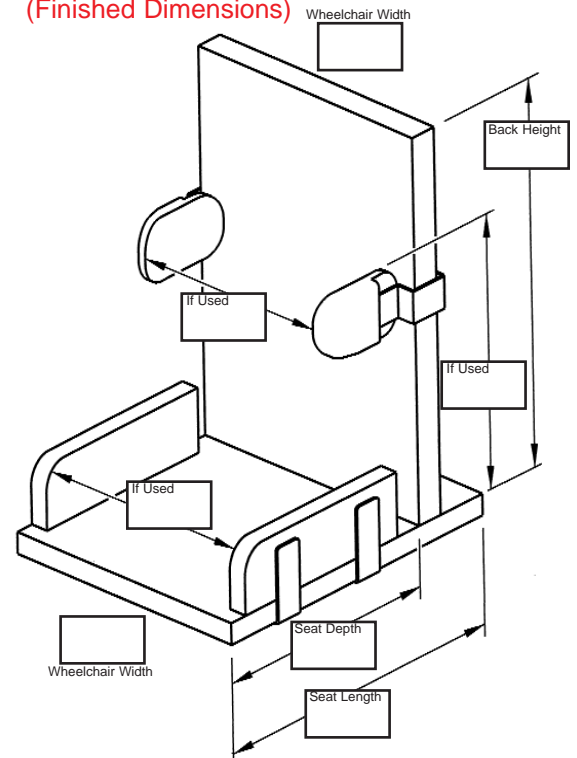
\_\_\_\_\_

\_\_\_\_\_

\_\_\_\_\_

\_\_\_\_\_

**Setup Information**  
(Finished Dimensions)



**#6100 BASIC SEAT INFORMATION** *(This Information Applies To All Seats No Matter What Modifications You Choose)*

**Seat Width**

- Full-Width
- Drop-In *(Fits between tubes)*

**Seat Position**

- Seat Lift\* \_\_\_\_\_ “
- Seat Drop\*\* \_\_\_\_\_ “

\*Seat Lift = Bottom of seat above mounting tubes.  
\*\*Seat Drop = Bottom of seat below mounting tubes.

**Upholstery Type**

- Vinyl
- Neoprene Backed Spandex
- \_\_\_\_\_

**Upholstery Color**

- Black  Red  Blue
- Pink  Silver  Maroon

**Upholstery Options**

- Non-Zipper Cover

**General Options**

- Non-Adjustable Hardware
- Complete T-Nut Upgrade #6110

**#6200 BASIC BACK INFORMATION** *(This Information Applies To All Backs No Matter What Modifications You Choose)*

**Back Width**

- Full-Width
- Drop-In *(Fits between tubes)*

**Back Position**

- Back Lift\* \_\_\_\_\_ “
- Back Drop\*\* \_\_\_\_\_ “

\*Back Lift = Rear of back in front of mounting tubes.  
\*\*Back Drop = Rear of back behind mounting tubes.

**Upholstery Type**

- Vinyl
- Neoprene Backed Spandex
- \_\_\_\_\_

**Upholstery Color**

- Black  Red  Blue
- Pink  Silver  Maroon

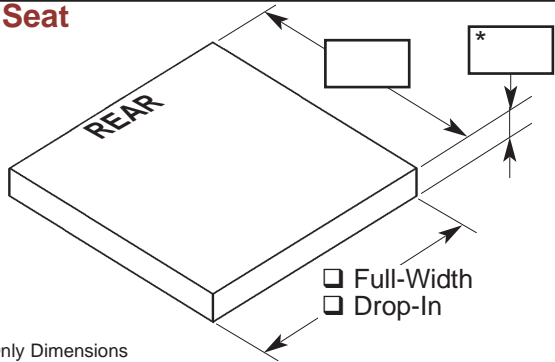
**Upholstery Options**

- Non-Zipper Cover

**Options**

- Non-Adjustable Mounting Hardware
- Complete T-Nut Upgrade #6210
- Seat/Back Hinge Bracket, Upgrade #6220

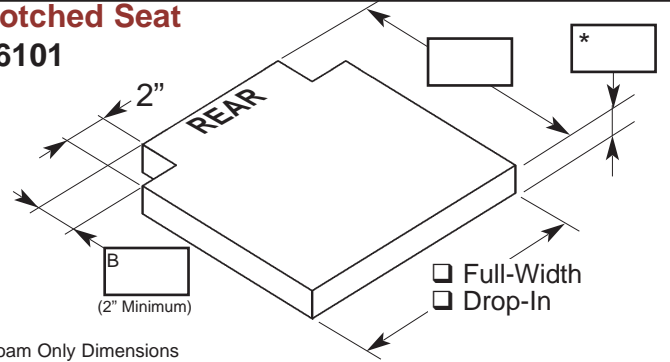
**Basic Seat**



\* Foam Only Dimensions

**Notched Seat**

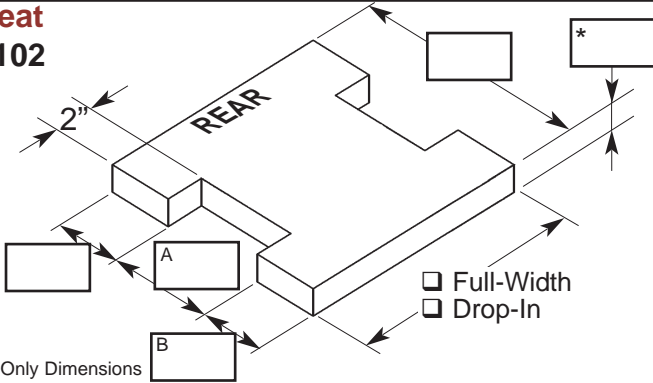
#6101



\* Foam Only Dimensions

**I-Seat**

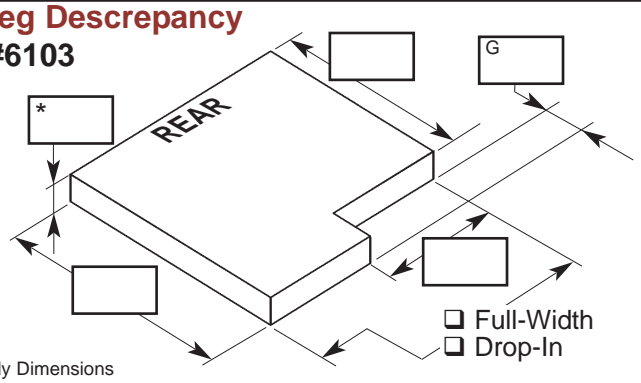
#6102



\* Foam Only Dimensions

**Left Leg Descrpancy**

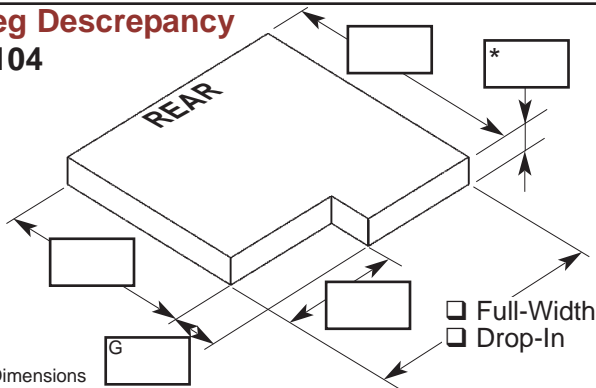
Seat #6103



\* Foam Only Dimensions

**Right Leg Descrpancy**

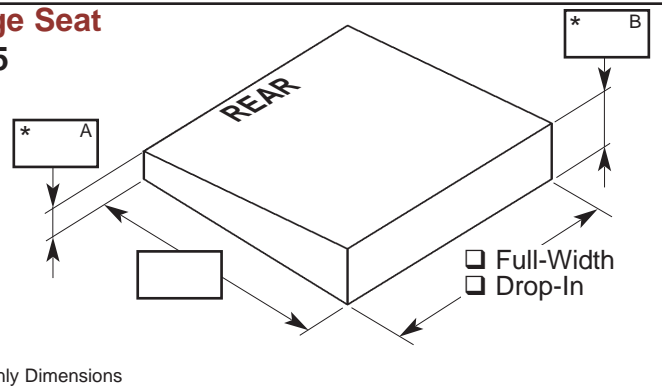
Seat #6104



\* Foam Only Dimensions

**Wedge Seat**

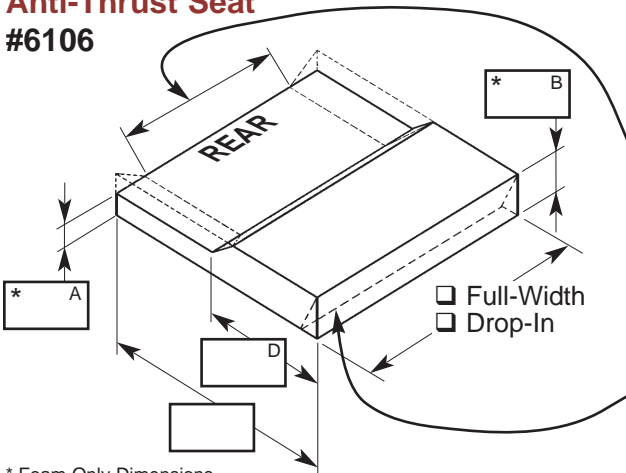
#6105



\* Foam Only Dimensions

**Anti-Thrust Seat**

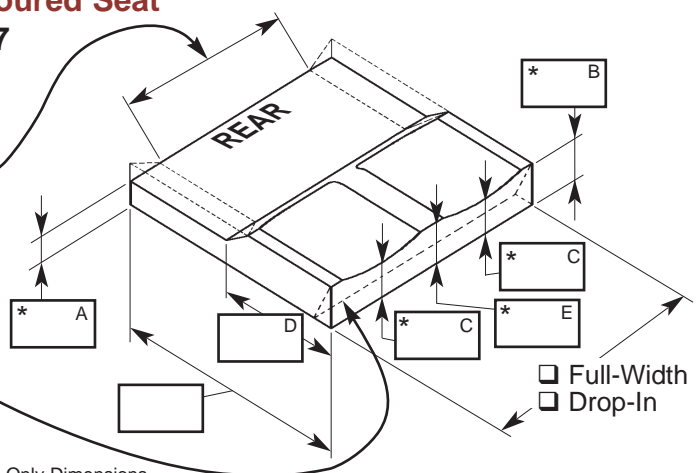
#6106



\* Foam Only Dimensions

**Contoured Seat**

#6107



\* Foam Only Dimensions

**Lateral Build-Up**  
 Part # 6109  
 Flat Area

**Tight Hamstring/ Calf Relief**  
 Part # 6108

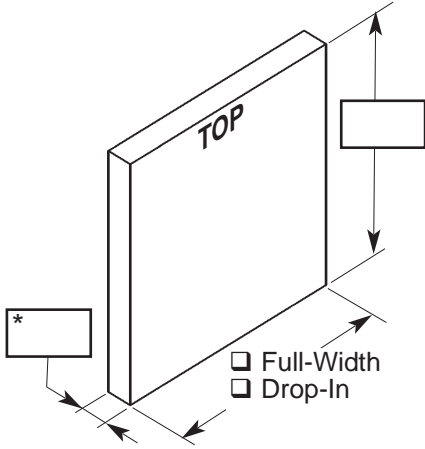
**Seat Foam (Choose One)**

- Standard Foam  
(Standard Seat Foam is 2" HR47 Medium Open Cell)
- Standard Foam + Additional Top Layer  
(Pick one top layer from chart to the right)
- Custom Foam  
(Pick layers from chart to the right)

**NON-STANDARD SEAT FOAM**

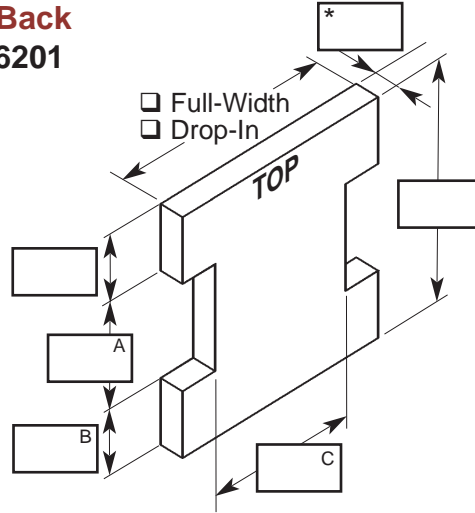
Layers	HR Foam						Visco-Elastic Foam					
	Soft	Medium	Firm	Soft	Medium	Firm	Soft	Medium	Firm	Soft	Medium	Firm
Top	1/2"	1"	1/2"	1"	1/2"	1"	1/2"	1"	1/2"	1"	1/2"	1"
Middle Top												
Middle Bottom												
Bottom												
Part Number	6001	6002	6003	6004	6005	6006	6011	6012	6013	6014	6015	6016

**Basic Back**



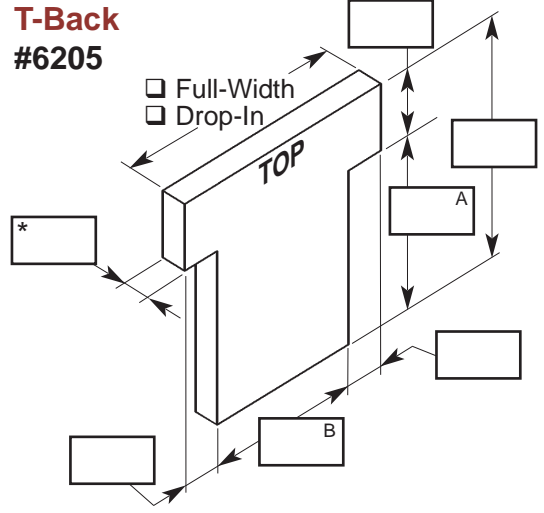
\* Foam Only Dimensions

**I-Back #6201**



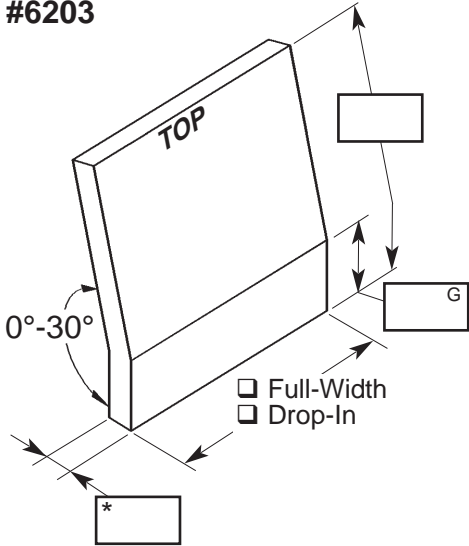
\* Foam Only Dimensions

**T-Back #6205**



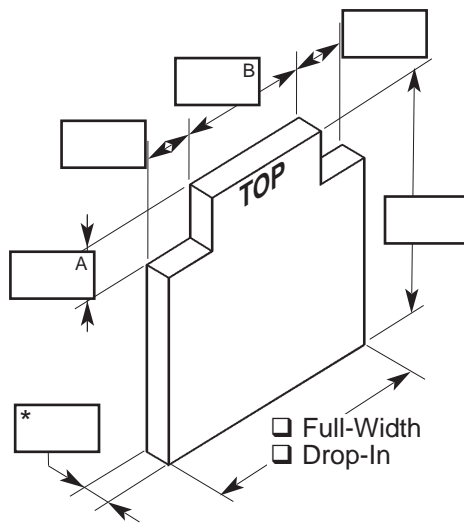
\* Foam Only Dimensions

**Adjustable Bi-Angular Back #6203**



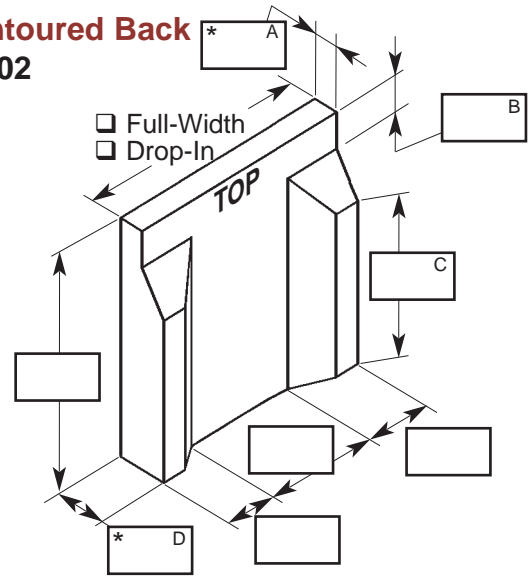
\* Foam Only Dimensions

**Scapular Relief Back #6204**



\* Foam Only Dimensions

**Contoured Back #6202**



\* Foam Only Dimensions

**Back Foam (Choose One)**

- Standard Foam  
(Standard Seat Foam is 2" HR47 Medium Open Cell)
- Standard Foam + Additional Front Layer  
(Pick one top layer from chart to the right)
- Custom Foam  
(Pick layers from chart to the right)

**NON-STANDARD BACK FOAM**

Layers	HR Foam						Visco-Elastic Foam					
	Soft		Medium		Firm		Soft		Medium		Firm	
	1/2"	1"	1/2"	1"	1/2"	1"	1/2"	1"	1/2"	1"	1/2"	1"
Front												
Middle Front												
Middle Rear												
Rear												
Part Number	6001	6002	6003	6004	6005	6006	6011	6012	6013	6014	6015	6016

**Custom Monogramming**

#X12501-03-XX-U

**Thread Color**  
(Circle Choice) Silver, Gold, Black, Red, Blue, Pink

**Print Style**  
(Circle Choice) **Block Script**

**Caps Choice**  
(Circle Choice) **ALL CAPS Only First Letter**

Name to be monogrammed (Please write clearly)

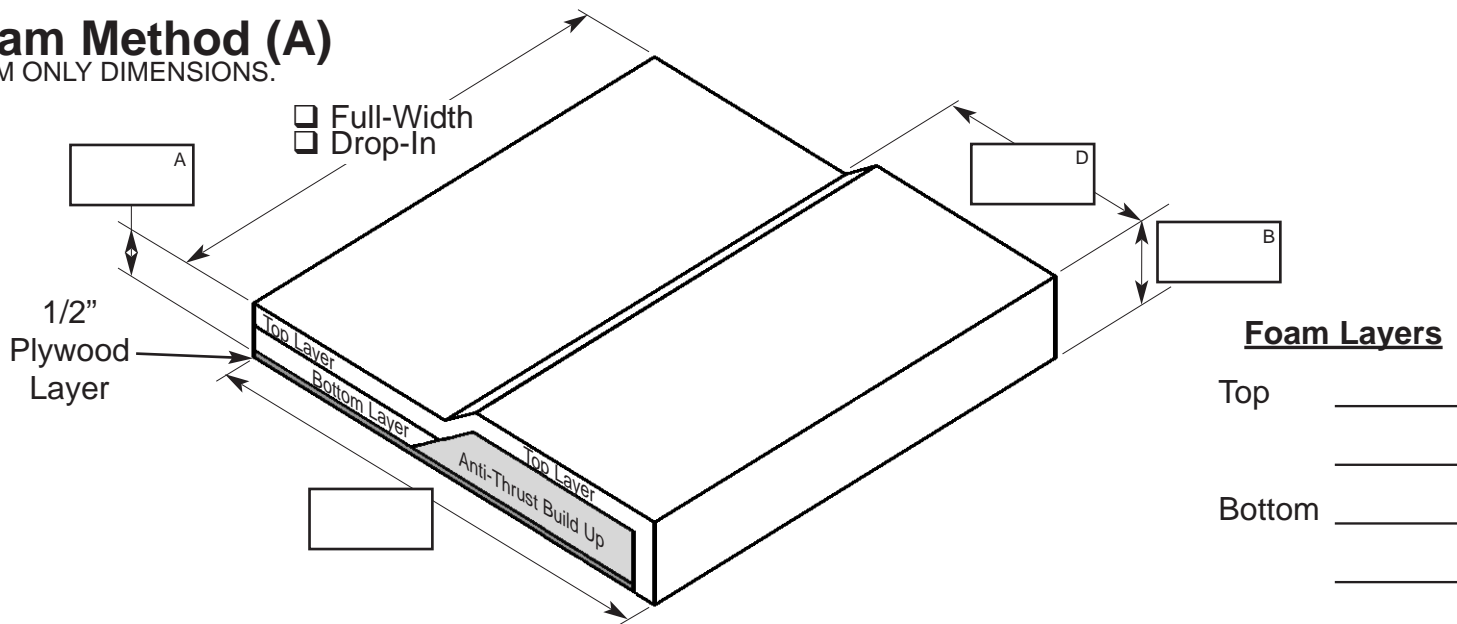
-----

Please Use Black or Blue Ink (Red Ink Not Visible In Fax)

# Anti-Thrust Seat Modification Part #6106

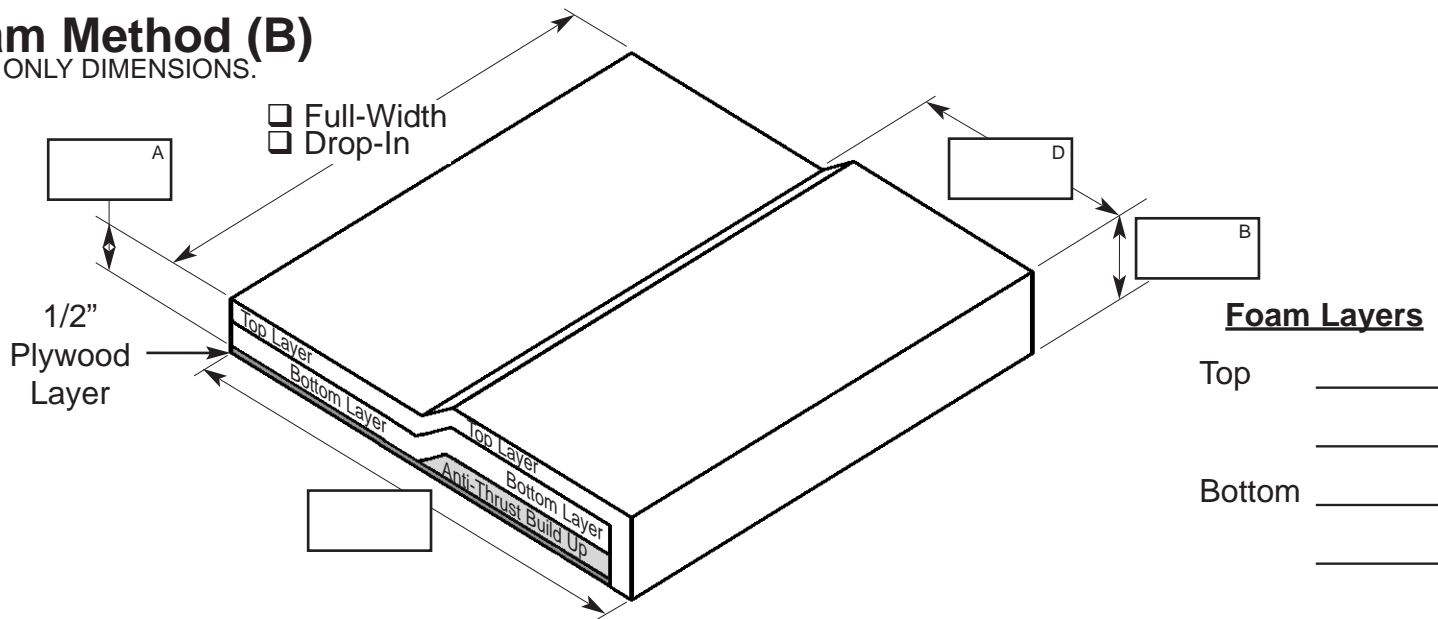
## Foam Method (A)

FOAM ONLY DIMENSIONS.



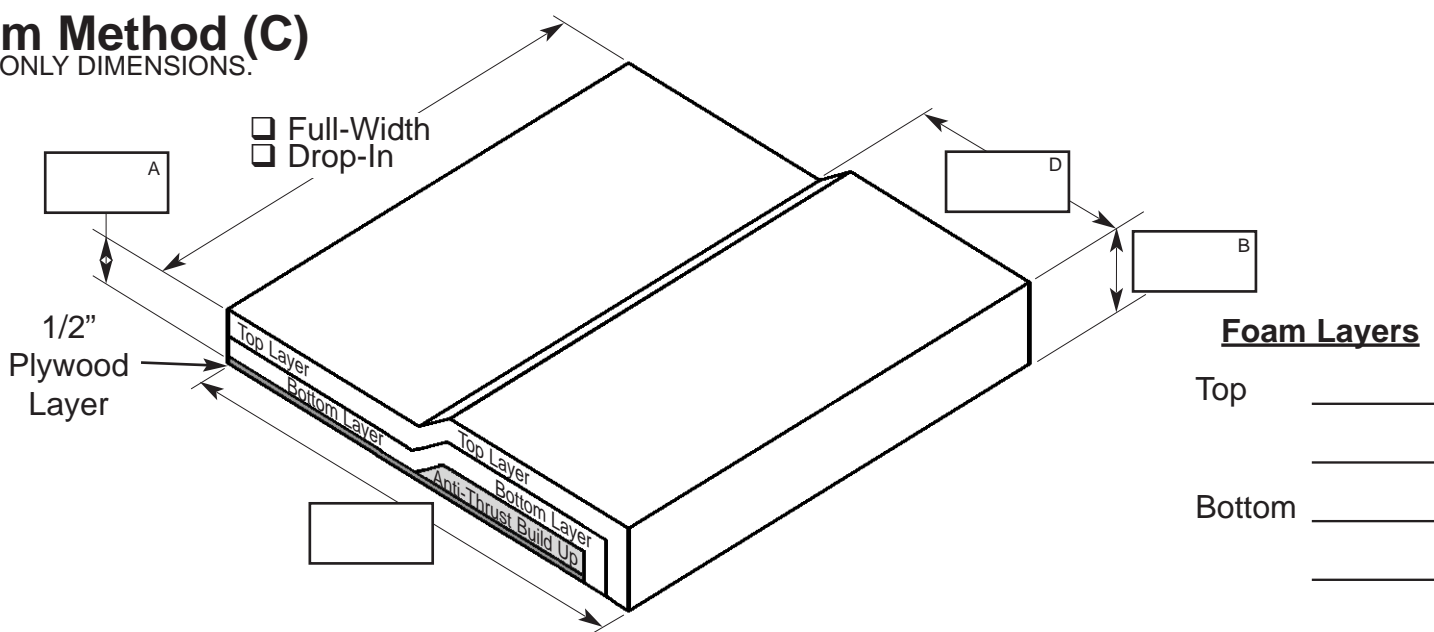
## Foam Method (B)

FOAM ONLY DIMENSIONS.



## Foam Method (C)

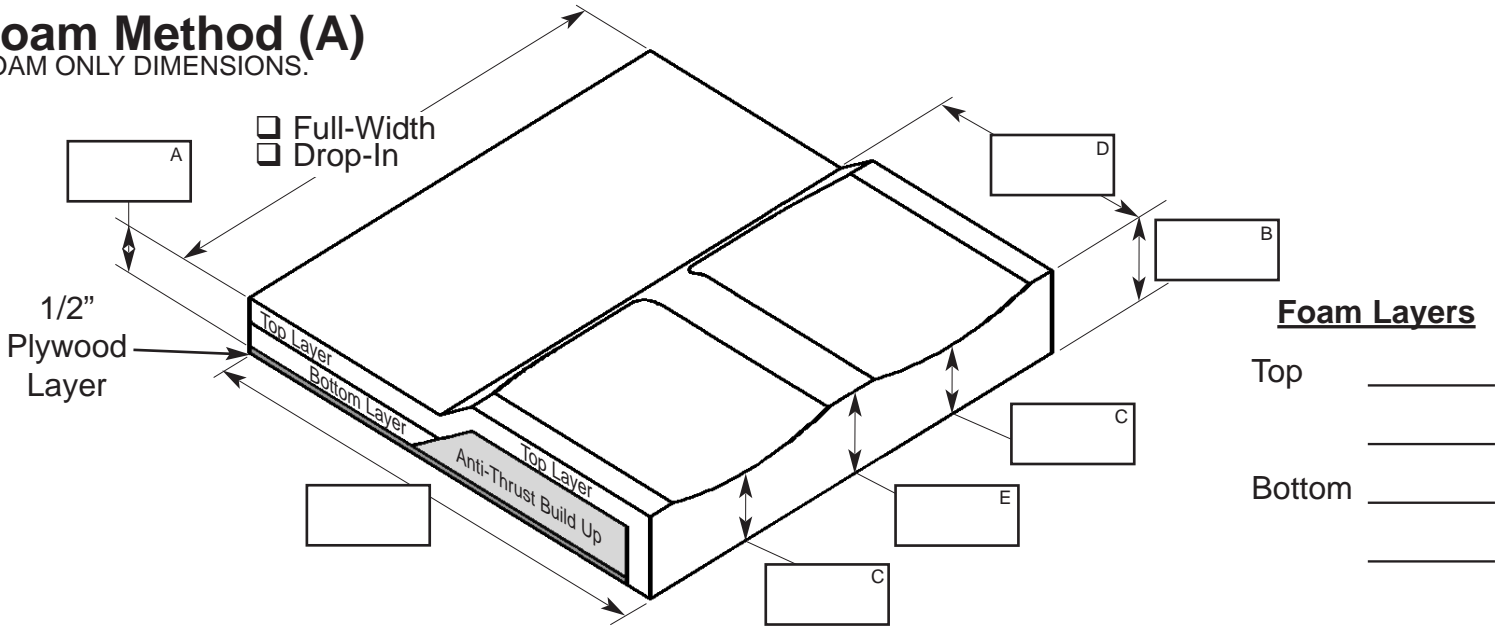
FOAM ONLY DIMENSIONS.



# Contoured Seat Modification Part #6107

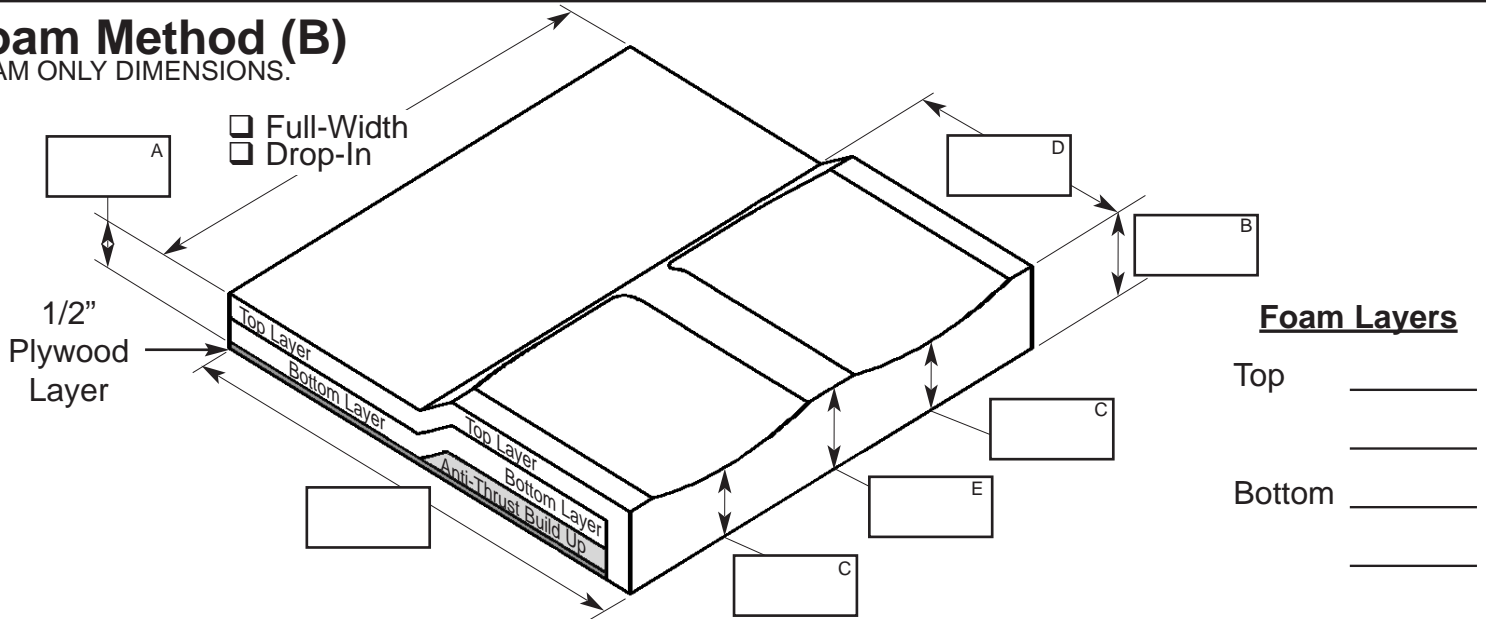
## Foam Method (A)

FOAM ONLY DIMENSIONS.



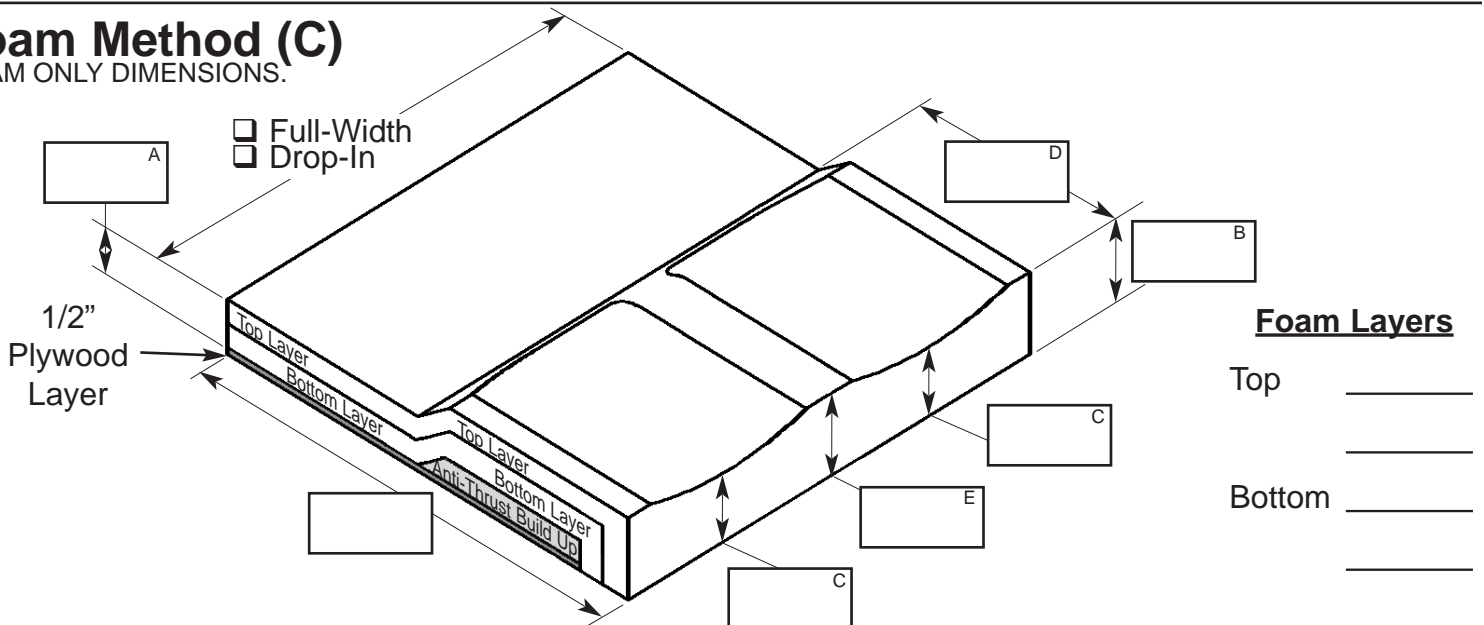
## Foam Method (B)

FOAM ONLY DIMENSIONS.

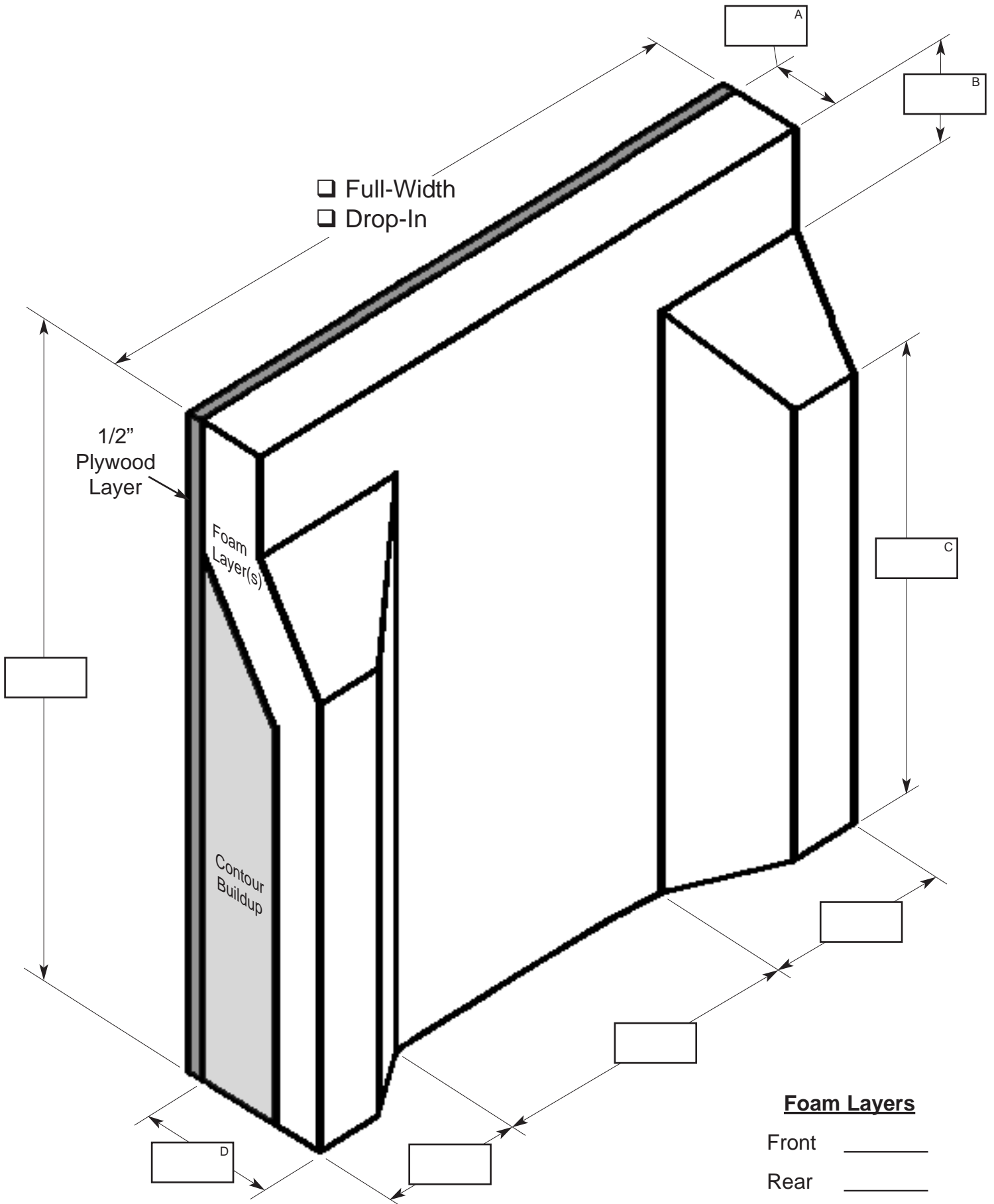


## Foam Method (C)

FOAM ONLY DIMENSIONS.



# Contoured Back Modification Part #6202



Head Positioning

**Contoured Headrest Kits (CHR)**

- 5340 Small Contoured Headrest **CHR** w/Mtg Hdw (5"X9½")
- 5341 Large Contoured Headrest **CHR** w/Mtg Hdw (5½"X11½")
- 5342 X-Large Contoured Headrest **CHR** w/Mtg Hdw (5½"X14")

**Posterior Lateral Support Headrest Kits (PLSH)**

- 5480-20 14" **PLSH** w/Mtg Hdw
- 5480-30 16" **PLSH** w/Mtg Hdw
- 5480-40 18" **PLSH** w/Mtg Hdw

**Posterior Lateral Occipital Support Headrest Kits (PLOSH)**

- 5371 14" **PLOSH** w/Mtg Hdw
- 5372 16" **PLOSH** w/Mtg Hdw
- 5373 18" **PLOSH** w/Mtg Hdw

**Occipital Rings/Rigid Anterior Trunk Support Kits (OCR)**

- 5350 Small Child Occipital Ring **OCR** w/Mtg Hdw
- 5351 Large Child Occipital Ring **OCR** w/Mtg Hdw
- 5352 Small Adult Occipital Ring **OCR** w/Mtg Hdw
- 5353 Large Adult Occipital Ring **OCR** w/Mtg Hdw
- 5380 **Add-On Kit**, Small Child Occipital Ring **OCR** w/Mtg Hdw
- 5381 **Add-On Kit**, Large Child Occipital Ring **OCR** w/Mtg Hdw
- 5382 **Add-On Kit**, Small Adult Occipital Ring **OCR** w/Mtg Hdw
- 5383 **Add-On Kit**, Large Adult Occipital Ring **OCR** w/Mtg Hdw

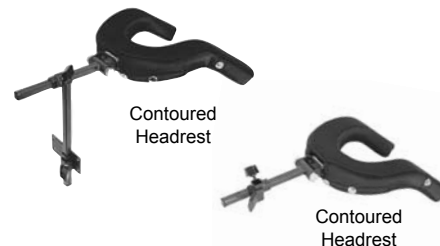
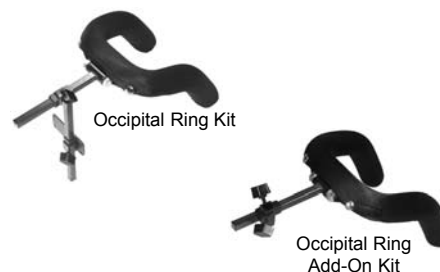
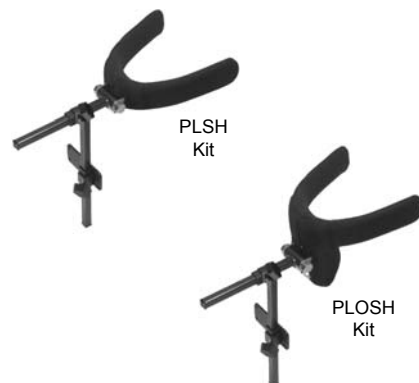
**Head-Support Adjustable Wing Collar Kits (HAWC)**

- 5461 Small **HAWC** w/Mtg Hdw
- 5462 Medium **HAWC** w/Mtg Hdw
- 5463 Large **HAWC** w/Mtg Hdw
- 5464 X-Large **HAWC** w/Mtg Hdw
- 5465 XX-Large **HAWC** w/Mtg Hdw
- 5471 **Add-On Kit**, Small **HAWC** w/Mtg Hdw
- 5472 **Add-On Kit**, Medium **HAWC** w/Mtg Hdw
- 5473 **Add-On Kit**, Large **HAWC** w/Mtg Hdw
- 5474 **Add-On Kit**, X-Large **HAWC** w/Mtg Hdw
- 5475 **Add-On Kit**, XX-Large **HAWC** w/Mtg Hdw

- 1638-10 Small Chin Roll
  - 1638-20 Large Chin Roll
- (See Catalog Page 5-4 For Chin Roll Information)

**Options (SUBstitutions)**

- 9901-U Swingaway Bracket, Mounting Upgrade
- 9906-U Multi-Axis Head Positioning Pad Mount, Upgrade
- 9907-U Multi-Axis Add-On Pad Mount, Upgrade
- 9908-U Multi-Axis Vertical Tube, Upgrade
- 9920-1-U Track Upgrade, Single



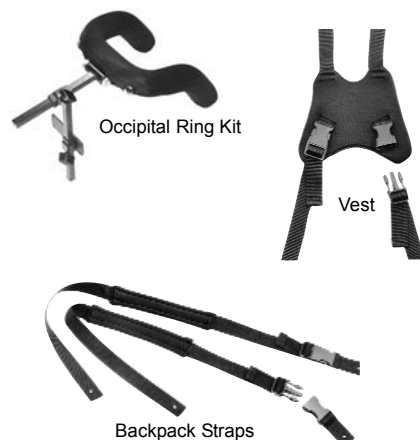
Anterior Trunk Positioning

**Occipital Rings/Rigid Anterior Trunk Support Kits (OCR)**

- 5350 Small Child Occipital Ring **OCR** w/Mtg Hdw
- 5351 Large Child Occipital Ring **OCR** w/Mtg Hdw
- 5352 Small Adult Occipital Ring **OCR** w/Mtg Hdw
- 5353 Large Adult Occipital Ring **OCR** w/Mtg Hdw

**Flexible Anterior Trunk Support Kits**

- 5300 Small Vest
- 5301 Medium Vest
- 5302 Large Vest
- 5305 Small Vest, w/Padded Shoulder Straps
- 5306 Medium Vest, w/Padded Shoulder Straps
- 5307 Large Vest, w/Padded Shoulder Straps
- 5310 Backpack Straps, pr, 1", Small (31")
- 5311 Backpack Straps, pr, 1", Medium (36")



Lateral Thoracic Positioning (LTP)

**Slideaway Thoracic Pad Kits**

- 6320 Small Slideaway Lateral Pair Kit (3" X 4½")
- 6320S Small Slideaway Lateral **LTP** Single Kit (3" X 4½")
- 6321 Medium Slideaway Lateral Pair Kit (3½" X 6")
- 6321S Medium Slideaway Lateral **LTP** Single Kit (3½" X 6")
- 6322 Large Slideaway Lateral Pair Kit (4½" X 7½")
- 6322S Large Slideaway Lateral **LTP** Single Kit (4½" X 7½")

**Lift-Up Swingaway Thoracic Pad Kits**

- 6330 Small Lift-Up Swingaway Lateral Pair Kit (3" X 4½")
- 6330L Small Lift-Up Swingaway Lateral **LTP** Left Kit (3" X 4½")
- 6330R Small Lift-Up Swingaway Lateral **LTP** Right Kit (3" X 4½")
- 6331 Medium Lift-Up Swingaway Lateral Pair Kit (3½" X 6")
- 6331L Medium Lift-Up Swingaway Lateral **LTP** Left Kit (3½" X 6")
- 6331R Medium Lift-Up Swingaway Lateral **LTP** Right Kit (3½" X 6")
- 6332 Large Lift-Up Swingaway Lateral Pair Kit (4½" X 7½")
- 6332L Large Lift-Up Swingaway Lateral **LTP** Left Kit (4½" X 7½")
- 6332R Large Lift-Up Swingaway Lateral **LTP** Right Kit (4½" X 7½")

**Button-Release Swingaway Thoracic Pad Kits**

- 6335 Small Button-Release Swingaway Lateral Pair Kit (3" X 4½")
- 6335L Small Button-Release Swingaway Lateral **LTP** Left Kit (3" X 4½")
- 6335R Small Button-Release Swingaway Lateral **LTP** Right Kit (3" X 4½")
- 6336 Medium Button-Release Swingaway Lateral Pair Kit (3½" X 6")
- 6336L Medium Button-Release Swingaway Lateral **LTP** Left Kit (3½" X 6")
- 6336R Medium Button-Release Swingaway Lateral **LTP** Right Kit (3½" X 6")
- 6337 Large Button-Release Swingaway Lateral Pair Kit (4½" X 7½")
- 6337L Large Button-Release Swingaway Lateral **LTP** Left Kit (4½" X 7½")
- 6337R Large Button-Release Swingaway Lateral **LTP** Right Kit (4½" X 7½")

**Options (SUBstitutions)**

- 9902-1-U Extra Soft Pads, Single, Upgrade
- 9902-2-U Extra Soft Pads, Pair, Upgrade
- 9920-1-U Track Upgrade, Single
- 9920-2-U Track Upgrade, Pair



Slideaway



Lift-Up Swingaway



Button-Release Swingaway

See Catalog  
Pages 7-8 For  
Information

Pelvic Positioning

**Subasis Bar Kits**

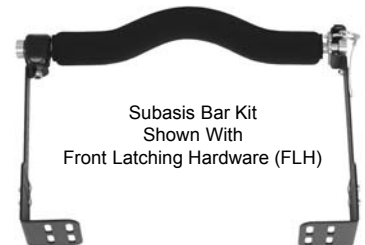
- 6230 Swg **SUBASIS**, RLH, w/Seat Mtg Hdw
- 6231 Swg **SUBASIS**, FLH, w/Seat Mtg Hdw

**Options (SUBstitutions, MODifications)**

- X22510-01-21-U Straight Subasis Bar, SUB
- X22510-02-21-U Custom Offset Midrelief Subasis Bar, MOD (5 Days)  
Offset Left \_\_\_\_\_" Of fset Right \_\_\_\_\_"
- X22510-03-21-U X-Deep Subasis Bar, MOD (5 Days)
- 9920-2-U Track Upgrade, Pair

**Lap Belts**

- 5200 1" Seat Belt, Plastic Buckle
- 5201 2" Seat Belt, Push Button, Metal Buckle



Subasis Bar Kit  
Shown With  
Front Latching Hardware (FLH)



2"

1"

Hip/Lateral Thigh Positioning

**Hip Pad Kits (SHP)**

- 6244 Straight Hip Pads, Pair, X-Small (7½")
  - 6244L Straight Hip Pad **SHP**, Left, X-Small (7½")
  - 6244R Straight Hip Pad **SHP**, Right, X-Small (7½")
- 6245 Straight Hip Pads, Pair, Small (9")
  - 6245L Straight Hip Pad **SHP**, Left, Small (9")
  - 6245R Straight Hip Pad **SHP**, Right, Small (9")
- 6246 Straight Hip Pads, Pair, Medium (12")
  - 6246L Straight Hip Pad **SHP**, Left, Medium (12")
  - 6246R Straight Hip Pad **SHP**, Right, Medium (12")
- 6247 Straight Hip Pads, Pair, Large (14")
  - 6247L Straight Hip Pad **SHP**, Left, Large (14")
  - 6247R Straight Hip Pad **SHP**, Right, Large (14")
- 6248 Straight Hip Pads, Pair, X-Large (17")
  - 6248L Straight Hip Pad **SHP**, Left, X-Large (17")
  - 6248R Straight Hip Pad **SHP**, Right, X-Large (17")

**Oval Hip Pad Kits (OHP)**

- 6240 Oval Hip Pads, Pair, Small (3½"X5")
  - 6240S Oval Hip Pad **OHP**, Single, Small (3½"X5")
- 6241 Oval Hip Pads, Pair, Large (4½"X6")
  - 6241S Oval Hip Pad **OHP**, Single, Large (4½"X6")

**Adductor Pad Kits (ADP)**

- 6260 Adductor Pads, Pair, Small (3½"X4½")
  - 6260S Adductor Pad **ADP**, Single, Small (3½"X4½")
- 6261 Adductor Pads, Pair, Large (4½"X5")
  - 6261S Adductor Pad **ADP**, Single, Large (4½"X5")

**Options**

- 9910-U Removable Hip Pad Bracket, Flat Seat, Pair
- 9910L-U Removable Hip Pad Bracket, Flat Seat, Left Side
- 9910R-U Removable Hip Pad Bracket, Flat Seat, Right Side

Straight Hip Pads



Oval Hip Pads



Adductor Pads



Abduction Positioning

**Slideaway Abductor Kits**

- 5270 Small Slideaway Wedge Pad **WPA** Kit
- 5271 Large Slideaway Wedge Pad **WPA** Kit
- 5280 Small Slideaway Contoured Pad **CPA** Kit (3"X4½")
- 5281 Medium Slideaway Contoured Pad **CPA** Kit (3½"X6")
- 5282 Large Slideaway Contoured Pad **CPA** Kit (4½"X7½")

**Swingaway Abductor Kits**

- 5290 Small Swingaway Wedge Pad **WPA** Kit
- 5291 Large Swingaway Wedge Pad **WPA** Kit
- 5295 Small Swingaway Contoured Pad **CPA** Kit (3"X4½")
- 5296 Medium Swingaway Contoured Pad **CPA** Kit (3½"X6")
- 5297 Large Swingaway Contoured Pad **CPA** Kit (4½"X7½")

**Options** (SUBstitutions, FABrications, MODifications)

- 9902-2-U Extra Soft Pads, Pair, Upgrade (Use only with Contoured Pads)
  - 9903-2-U Slideaway Adj. Width Mtg Brkt, Short Vertical, Substitution
  - 9904-2-U Swingaway Adj. Width Mtg Brkt, Short Vertical/Short Tail, Substitution
  - 9904-3-U Swingaway Adj. Width Mtg Brkt, Short Vertical/Tall Tail, Substitution
  - 9904-4-U Swingaway Adj. Width Mtg Brkt, Tall Vertical/Tall Tail, Substitution
  - X23500-01-00-U Custom Abduction Wedge, FAB (2 Weeks)
- (Please include fabrication form, located in the catalog fabrication section, for all FAB's)

Wedge Pad Abductors



Adjustable Width Contoured Pad Abductors

