

# METALCRAFT

**Front Swing**



**QUALITY  
HARDWARE**

**Rear Swing**



**Slideaway**



**SERVICE  
SELECTION  
SOLUTIONS**

**LATERAL THORACIC  
POSITIONING**

# SWINGAWAY LATERALS

## Front Swing (Patent Pending)

### STANDARD FEATURES

- Button-Release Locking Mechanism
- Pivot Point On Front Side Of The Back
- Pad Vertical Angle Is Adjustable
- Lateral, Posterior and Anterior Pad Adjustability
- Back Thickness Adjustable (Flat Backs)
- High-Strength Brackets
- Pad Swings Away 90°
- Standard Offset Brackets From 0" to 3" In 1/2" Increments
- All Kits Come With Slide Mounting Brackets & Mounting Fasteners  
*(Slide Brackets Allow Easy Summer-Winter Clothing Adjustments)*

### ADDITIONAL OPTIONS

- Long Pad Brackets (Useful With I-Backs)
- Heavy-Duty Pads
- Extra Soft Pads



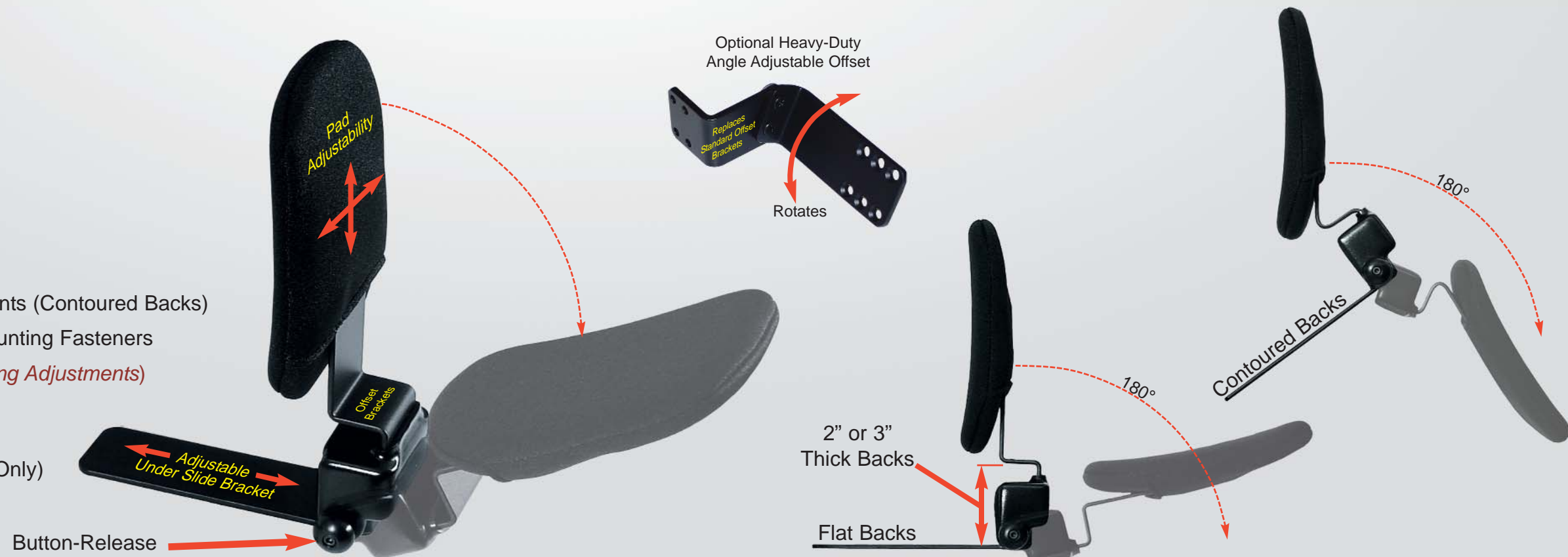
## Rear Swing

### STANDARD FEATURES

- Button-Release Locking Mechanism
- Pivot Point On Rear Side Of The Back
- High-Strength Brackets
- Pad Swings Away 180°
- Offsets Brackets (Flat Backs)
  - 2" or 3" Thick Backs
  - Offsets From -2" to 3" In 1" Increments
- Offsets Brackets From 0" to 3 1/2" In 1/2" Increments (Contoured Backs)
- All Kits Come With Slide Mounting Brackets & Mounting Fasteners  
*(Slide Brackets Allow Easy Summer-Winter Clothing Adjustments)*

### ADDITIONAL OPTIONS

- Heavy-Duty Angle Adjustable Offsets (Flat Backs Only)
- Heavy-Duty Pads
- Extra Soft Pads



# QUALITY HARDWARE

Cover Flap  
Conceals Fasteners  
While Maintaining  
Slimline Design



Contoured  
Shape



Fasteners  
Concealed  
Under The  
Cover Flap



Height  
Adjustable

## TRUNK PADS

- Slimline Pads (5/8" Thick)
- Removable Neoprene Backed Spandex or Vinyl Covers
- Bendable Metal Base With Permanent Threaded Fasteners
- Optional Extra-Soft Pads (1 1/8" Thick)
- Optional Heavy-Duty Pads

## SLIDEAWAY LATERAL BRACKETS

- 1/8" SST Brackets or Custom 3/16" SST
- Standard Offsets Between 0" and 3"  
(1" Increments For Flat Backs)
- Offsets Between 0" and 3"  
(1/2" Increments For Contoured Backs)

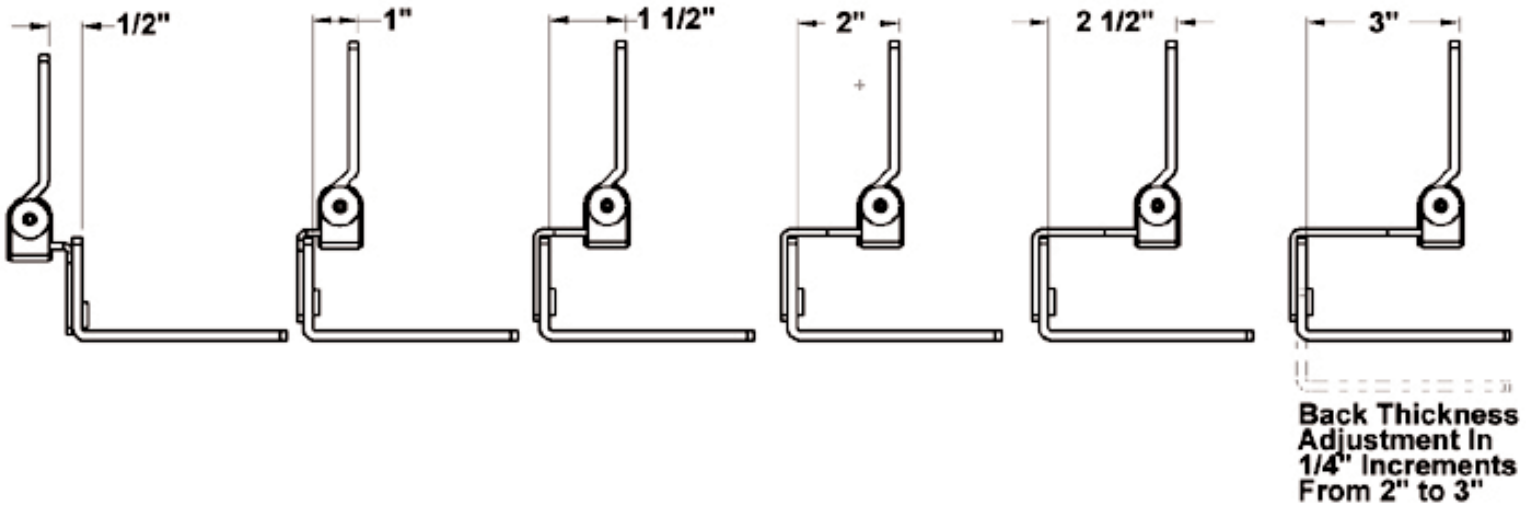


Optional Knob Lanyards

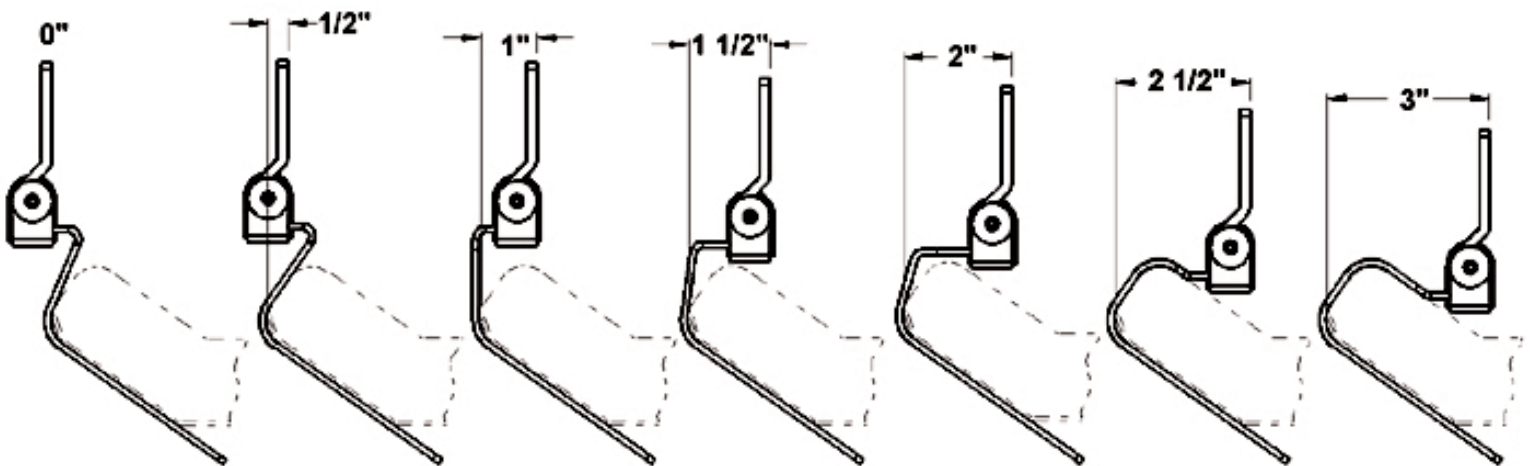


# SLIDEAWAY LATERALS

## FLAT BACK FRONT SWING OFFSETS



## MODULAR BACK FRONT SWING OFFSETS



For Part Numbers & Additional Information Click [Here](#).