

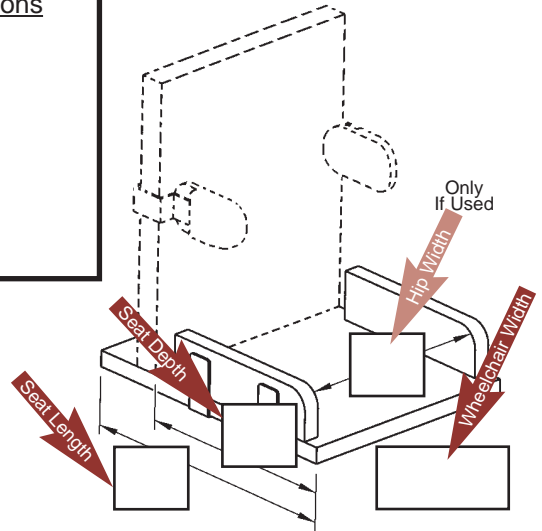
Step 1 : Basic Information (Must Complete)

Things You Should Know About This Form

- All Hardware Is Black Powder Coated Stainless Steel.
- Items With Part #'s Have Additional Cost Except Where Noted.

- Fixed Hardware (Standard is Adjustable)
- Transit/Transport Hardware #6112 (Adjustable ONLY)
- Clamp Size _____" (Standard is 7/8" to 1")
- Non Zippered Cover (Standard is Zippered)
- Complete T-Nut Upgrade.....#6110
- Velcro Bottom - NO HARDWARE.....#6111 (\$ Credit)

Special Instructions



Choose One
And Fill Out
Dimension

Full Width Lift _____" (1/2" Min)

Drop-In Drop _____" Lift _____"

VINYL FABRIC CHOICES

- Black Red Blue
- Pink Silver Maroon

NEOPRENE FABRIC CHOICES

- Black Red Blue
- Pink Silver Maroon

Step 2 : Foam Layers (Must Complete)

- Standard Foam, (2) 1" Layers Medium Poly (Skip To Step 3)
- Standard Foam PLUS Additional Top Layer (Pick Additional Top Layer Below)
- Custom Foam Layers (Pick Custom Layers Below)

Poly Foam

Visco-Elastic Foam

	Soft		Medium		Firm		Soft		Medium		Firm	
Layers	1/2"	1"	1/2"	1"	1/2"	1"	1/2"	1"	1/2"	1"	1/2"	1"
Top												
Middle												
Bottom												
Part Number	6001	6002	6003	6004	6005	6006	6011	6012	6013	6014	6015	6016

Important Note

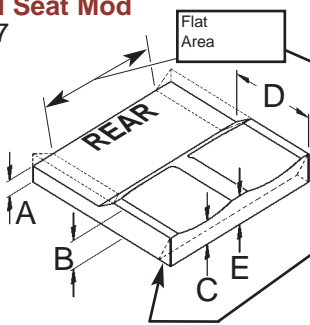
If Ordering From The Foam Modifications Below, Please Be Aware That Dimension "A" Below Must Equal The Sum Of The Layers Chosen In This Section.

Optional Step 3 : Foam Shape Modifications

(Foam Only Dimensions)

Contoured Seat Mod
Part # 6107

- A _____
- B _____
- C _____
- D _____
- E _____



These Options Are Only Available On Contoured & Anti-Thrust Seats

Lateral Build-Up

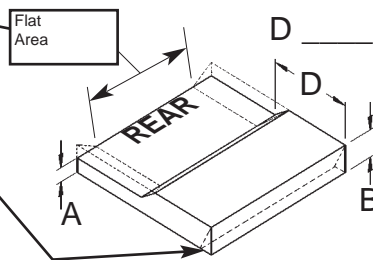
Part # 6109

Tight Hamstring/Calf Relief

Part # 6108

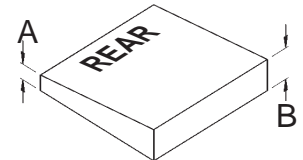
Anti-Thrust Seat Mod
Part # 6106

- A _____
- B _____
- D _____



Seat w/Wedge Mod
Part # 6105

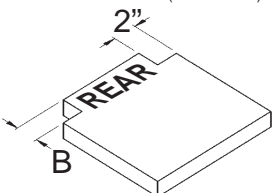
- A _____
- B _____



Optional Step 4 : Plywood Shape Modifications

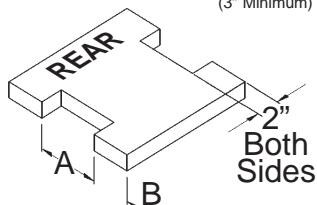
Seat w/Notches Mod
Part # 6101 (No Additional Cost)

- B _____
(2" Minimum)

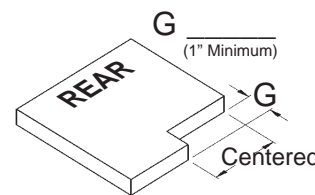


I-Seat Mod
Part # 6102

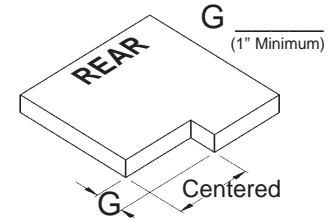
- A _____
(3" Minimum)
- B _____
(3" Minimum)



Left Leg Discrepancy Mod
Part # 6103



Right Leg Discrepancy Mod
Part # 6104



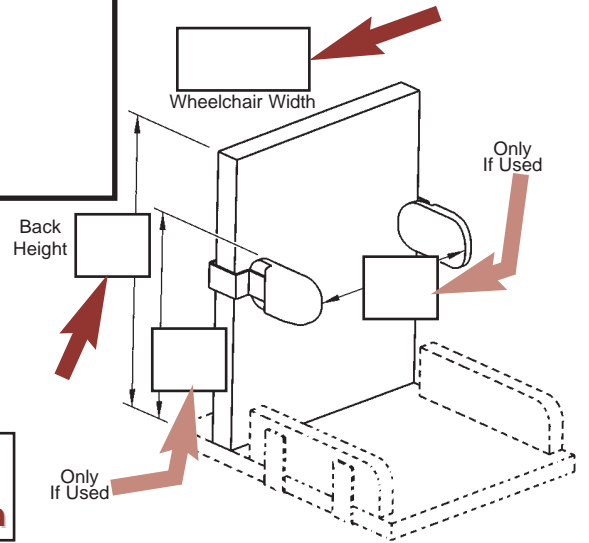
Step 1 : Basic Information (Must Complete)

Things You Should Know About This Form

- All Hardware Is Black Powder Coated Stainless Steel.
- Items With Part #'s Have Additional Cost Except Where Noted.

- Fixed Hardware (Standard is Adjustable)
- Transit/Transport Hardware #6212 (Adjustable ONLY)
- Clamp Size _____" (Standard is 7/8" to 1")
- No Zipper Cover (Standard is Zippered)
- Complete T-Nut Upgrade.....#6210

Special Instructions



Choose One Seat/Back Hinge Brkt....#6220
 Mount Separately From Seat

Choose One And Fill Out Dimension(s)
 Full Width In-Front _____" (1/2" Min)
 Drop-In Behind _____" In-Front _____"

- VINYL FABRIC CHOICES**
- Black Red Blue
 - Pink Silver Maroon

- NEOPRENE FABRIC CHOICES**
- Black Red Blue
 - Pink Silver Maroon

Step 2 : Foam Layers (Must Complete)

- Standard Foam, 1" Medium Poly Foam (Skip To Step 3)
- Standard Foam PLUS Additional Top Layer (Pick Additional Top Layer Below)
- Custom Foam Layers (Pick Custom Layers Below)

Poly Foam

Visco-Elastic Foam

Layers	Soft		Medium		Firm		Soft		Medium		Firm	
	1/2"	1"	1/2"	1"	1/2"	1"	1/2"	1"	1/2"	1"	1/2"	1"
Top												
Middle												
Bottom												
Part Number	6001	6002	6003	6004	6005	6006	6011	6012	6013	6014	6015	6016

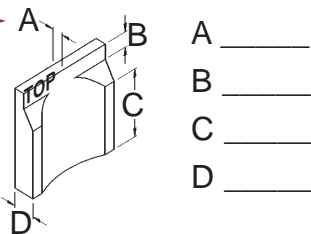
Important Note

If Ordering From The Foam Modifications Below, Please Be Aware That Dimension "A" Must Equal The Sum Of The Layers Chosen In These Boxes.

Optional Step 3: Foam Shape Modifications (Foam Only Dimensions)

Contoured Back Mod Part # 6202

Contoured Shape Is Fabricated From Closed Cell Foam Which Is Covered By The Layers Of Foam You Choose (See Choices Above)



Optional Step 5: Custom Monogramming

Part # X21501-03-XX-U.....Add 10 Days

Thread Color
(Circle Choice) Silver, Gold, Black, Red, Blue, Pink

Print Style
(Circle Choice) **Block Script**

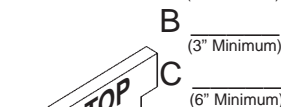
Caps Choice
(Circle Choice) **ALL CAPS Only First Letter**

Name to be monogrammed (Please write clearly)

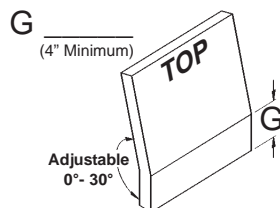
Please Use Black or Blue Ink (Red Ink Not Visible In Fax)

Optional Step 4: Plywood Shape Modifications

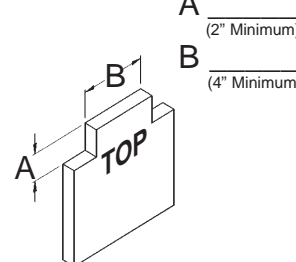
I-Back Mod Part # 6201



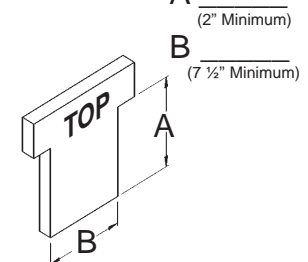
Adjustable Bi-Angular Back Mod Part # 6203



Scapular Relief Mod Part # 6204



T-Back Mod Part # 6205



Contoured Headrest Kits

- ❑ 5340 Small Contoured Headrest w/Mtg Hdw (5"X9½")
- ❑ 5341 Large Contoured Headrest w/Mtg Hdw (5½"X11½")

Adjustable Winged Headrest Kits

- ❑ 5410-20 Small Adjustable Winged Headrest w/Mtg Hdw (4"X17")
- ❑ 5410-30 Medium Adjustable Winged Headrest w/Mtg Hdw (4¾"X20")
- ❑ 5410-40 Large Adjustable Winged Headrest w/Mtg Hdw (5¾"X22")

Posterior Lateral Support Headrest Kits

- ❑ 5480-20 14" PLSH w/Mtg Hdw
- ❑ 5480-30 16" PLSH w/Mtg Hdw
- ❑ 5480-40 18" PLSH w/Mtg Hdw

Posterior Lateral Occipital Support Headrest Kits

- ❑ 5371 14" PLOSH w/Mtg Hdw
- ❑ 5372 16" PLOSH w/Mtg Hdw
- ❑ 5373 18" PLOSH w/Mtg Hdw

Rigid Anterior Trunk Support Kits (R.A.T.S.)

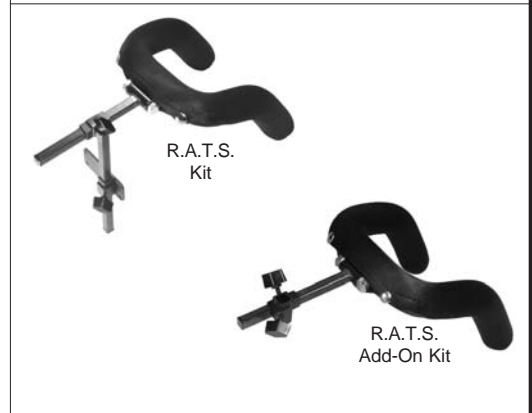
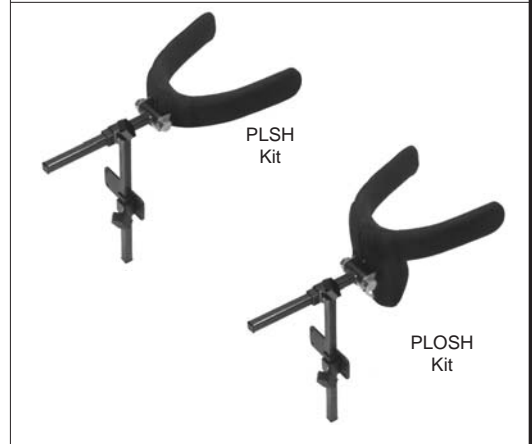
- ❑ 5350 Small Child RATS w/Mtg Hdw - (a.k.a. Occipital Ring)
- ❑ 5351 Large Child RATS w/Mtg Hdw - (a.k.a. Occipital Ring)
- ❑ 5352 Small Adult RATS w/Mtg Hdw - (a.k.a. Occipital Ring)
- ❑ 5353 Large Adult RATS w/Mtg Hdw - (a.k.a. Occipital Ring)
- ❑ 5380 **Add-On Kit**, Small Child RATS w/Mtg Hdw - (a.k.a. Occipital Ring)
- ❑ 5381 **Add-On Kit**, Large Child RATS w/Mtg Hdw - (a.k.a. Occipital Ring)
- ❑ 5382 **Add-On Kit**, Small Adult RATS w/Mtg Hdw - (a.k.a. Occipital Ring)
- ❑ 5383 **Add-On Kit**, Large Adult RATS w/Mtg Hdw - (a.k.a. Occipital Ring)

Head-Support Adjustable Wing Collar Kits

- ❑ 5460T X-Small Thin H.A.W.C. w/Mtg Hdw
- ❑ 5461T Small Thin H.A.W.C. w/Mtg Hdw
- ❑ 5461 Small H.A.W.C. w/Mtg Hdw
- ❑ 5462 Medium H.A.W.C. w/Mtg Hdw
- ❑ 5463 Large H.A.W.C. w/Mtg Hdw
- ❑ 5464 X-Large H.A.W.C. w/Mtg Hdw
- ❑ 5470T **Add-On Kit**, X-Small Thin H.A.W.C. w/Mtg Hdw
- ❑ 5471T **Add-On Kit**, Small Thin H.A.W.C. w/Mtg Hdw
- ❑ 5471 **Add-On Kit**, Small H.A.W.C. w/Mtg Hdw
- ❑ 5472 **Add-On Kit**, Medium H.A.W.C. w/Mtg Hdw
- ❑ 5473 **Add-On Kit**, Large H.A.W.C. w/Mtg Hdw
- ❑ 5474 **Add-On Kit**, X-Large H.A.W.C. w/Mtg Hdw
- ❑ 1638-10 Small Chin Roll
- ❑ 1638-20 Large Chin Roll

Options

- ❑ 9901 Swingaway Bracket, Mounting Upgrade
- ❑ 9900 Offset Swingaway Bracket, Mounting Upgrade
- ❑ 9930 Ball & Socket 6" Pad Mount, Upgrade
- ❑ 9930-1 Ball & Socket 10" Pad Mount, Upgrade
- ❑ 9932 Ball & Socket 6" Vertical Tube, Upgrade
- ❑ 9932-1 Ball & Socket 10" Vertical Tube, Upgrade
- ❑ 9920-1 Track Upgrade, Single
- ❑ 9922-1 Knob Lanyard for Tube Nuts, Single
- ❑ 9922-2 Knob Lanyard for Tube Nuts, Pair
- ❑ 9922-4 Knob Lanyard for Tube Nuts 2 Pair



Flexible Anterior Trunk Support Kits

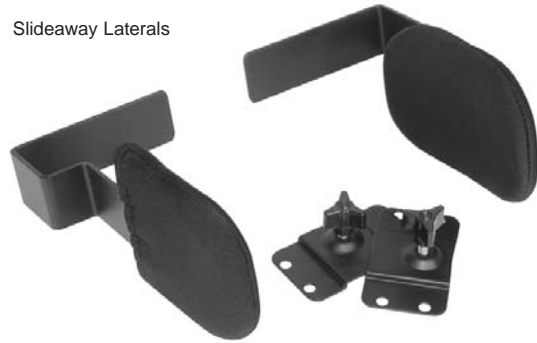
- | Dyna-Vest | Firm-Fit | |
|------------------|-----------------|---------------------------------------|
| ❑ 5312-12 | ❑ 5313-12 | Small Vest |
| ❑ 5312-14 | ❑ 5313-14 | Medium Vest |
| ❑ 5312-16 | ❑ 5313-16 | Large Vest |
| ❑ 5312-24 | ❑ 5313-24 | Medium Vest, Narrow Vest |
| ❑ 5312-26 | ❑ 5313-26 | Large Vest, Narrow Vest |
| ❑ 5310 | | Backpack Straps, pr, 1", Small (31") |
| ❑ 5311 | | Backpack Straps, pr, 1", Medium (36") |



Slideaway Thoracic Pad Kits

- 6320 Small Slideaway Lateral Left/Right Kit (3" X 4½")
- 6320S Small Slideaway Lateral Single Side Kit (3" X 4½")
- 6321 Medium Slideaway Lateral Left/Right Kit (3½" X 6")
- 6321S Medium Slideaway Lateral Single Side Kit (3½" X 6")
- 6322 Large Slideaway Lateral Left/Right Kit (4½" X 7½")
- 6322S Large Slideaway Lateral Single Side Kit (4½" X 7½")
- 6323 X-Large Slideaway Lateral Left/Right Kit (6¼" X 6¼")
- 6323S X-Large Slideaway Lateral Single Side Kit (6¼" X 6¼")
- 6324 XX-Large Slideaway Lateral Left/Right Kit (7 X 7¾")
- 6324S XX-Large Slideaway Lateral Single Side Kit (7 X 7¾")

Slideaway Laterals



Front Swing Lateral Thoracic Pad Kits

- 6430 Small Front Swing Lateral Left/Right Kit (3" X 4½")
- 6430L Small Front Swing Lateral Left Side Kit (3" X 4½")
- 6430R Small Front Swing Lateral Right Side Kit (3" X 4½")
- 6431 Medium Front Swing Lateral Left/Right Kit (3½" X 6")
- 6431L Medium Front Swing Lateral Left Side Kit (3½" X 6")
- 6431R Medium Front Swing Lateral Right Side Kit (3½" X 6")
- 6432 Large Front Swing Lateral Left/Right Kit (4½" X 7½")
- 6432L Large Front Swing Lateral Left Side Kit (4½" X 7½")
- 6432R Large Front Swing Lateral Right Side Kit (4½" X 7½")
- 6433 X-Large Front Swing Lateral Left/Right Kit (6¼" X 6¼")
- 6433L X-Large Front Swing Lateral Left Side Kit (6¼" X 6¼")
- 6433R X-Large Front Swing Lateral Right Side Kit (6¼" X 6¼")
- 6434 XX-Large Front Swing Lateral Left/Right Kit (7 X 7¾")
- 6434L XX-Large Front Swing Lateral Left Side Kit (7 X 7¾")
- 6434R XX-Large Front Swing Lateral Right Side Kit (7 X 7¾")

Front Swing Laterals



Rear Swing Lateral Thoracic Pad Kits

- 6335 Small Rear Swing Lateral Left/Right Kit (3" X 4½")
- 6335L Small Rear Swing Lateral Left Kit (3" X 4½")
- 6335R Small Rear Swing Lateral Right Kit (3" X 4½")
- 6336 Medium Rear Swing Lateral Left/Right Kit (3½" X 6")
- 6336L Medium Rear Swing Lateral Left Kit (3½" X 6")
- 6336R Medium Rear Swing Lateral Right Kit (3½" X 6")
- 6337 Large Rear Swing Lateral Left/Right Kit (4½" X 7½")
- 6337L Large Rear Swing Lateral Left Kit (4½" X 7½")
- 6337R Large Rear Swing Lateral Right Kit (4½" X 7½")
- 6338 X-Large Rear Swing Lateral Left/Right Kit (6¼" X 6¼")
- 6338L X-Large Rear Swing Lateral Left Kit (6¼" X 6¼")
- 6338R X-Large Rear Swing Lateral Right Kit (6¼" X 6¼")
- 6339 XX-Large Rear Swing Lateral Left/Right Kit (7 X 7¾")
- 6339L XX-Large Rear Swing Lateral Left Kit (7 X 7¾")
- 6339R XX-Large Rear Swing Lateral Right Kit (7 X 7¾")

Rear Swing Laterals



Options

- 9902-1-U Extra Soft Pads, Single, Upgrade
- 9902-2-U Extra Soft Pads, Pair, Upgrade
- 9918-L-U Heavy Duty Pads, Left, Upgrade
- 9918-R-U Heavy Duty Pads, Right, Upgrade
- 9918-2-U Heavy Duty Pads, Pair, Upgrade
- 9920-1-U Track Upgrade, Single
- 9920-2-U Track Upgrade, Pair
- 9923-1-U Knob Lanyard for Slide Brackets, Single
- 9923-2-U Knob Lanyard for Slide Brackets, Pair

Knob Lanyard for Slide Brackets



Straight Hip Pad Kits

- 6244 X-Small, Straight Hip Pad, Left/Right Kit (8")
- 6244L X-Small, Straight Hip Pad, Left Side Kit (8")
- 6244R X-Small, Straight Hip Pad, Right Side Kit (8")
- 6245 Small, Straight Hip Pad, Left/Right, Kit (10")
- 245L Small, Straight Hip Pad, Left Side, Kit (10")
- 6245R Small, Straight Hip Pad, Right Side, Kit (10")
- 6246 Medium, Straight Hip Pad, Left/Right, Kit (12")
- 6246L Medium, Straight Hip Pad, Left Side, Kit (12")
- 6246R Medium, Straight Hip Pad, Right Side, Kit (12")
- 6247 Large, Straight Hip Pad, Left/Right, Kit (14")
- 6247L Large, Straight Hip Pad, Left Side, Kit (14")
- 6247R Large, Straight Hip Pad, Right Side, Kit (14")
- 6248 X-Large, Straight Hip Pad, Left/Right, Kit (17")
- 6248L X-Large, Straight Hip Pad, Left Side, Kit (17")
- 6248R X-Large, Straight Hip Pad, Right Side, Kit (17")

Straight Hip Pads



Oval Hip Pad Kits

- 6240 Small, Oval Hip Pad, Left/Right Kit (3½"X5")
- 6240S Small, Oval Hip Pad, Single Side, Kit (3½"X5")
- 6241 Large, Oval Hip Pad, Left/Right, Kit (4½"X6")
- 6241S Large, Oval Hip Pad, Single Side, Kit (4½"X6")

Oval Hip Pads



Adductor Pad Kits

- 6260 Small, Adductor Pad, Left/Right, Kit (3½"X4½")
- 6260S Small, Adductor Pad, Single Side, Kit (3½"X4½")
- 6261 Large, Adductor Pad, Left/Right, Kit (4½"X5")
- 6261S Large, Adductor Pad, Single Side, Kit (4½"X5")

Adductor Pads



Options

- 9910-U Removable Hip Pad Bracket, Flat Seat, Pair
- 9910L-U Removable Hip Pad Bracket, Flat Seat, Left Side
- 9910R-U Removable Hip Pad Bracket, Flat Seat, Right Side

Subasis Bar Kits

- 6230 Swingaway Subasis Kit FFWS, Rear Latching Hook
- 6231 Swingaway Subasis Kit, FFWS, Front Latching Hook
- 6233 Swingaway Subasis Kit, FDIS, Rear Latching Hook
- 6234 Swingaway Subasis Kit, FDIS, Front Latching Hook
- 6236 Swingaway Subasis Kit, Bolt-On, Rear Latching Hook
- 6237 Swingaway Subasis Kit, Bolt-On, Front Latching Hook



Options

- X22510-01-21-U Straight Subasis Bar, Substitution
- X22510-02-21-U Custom Offset Midrelief Subasis Bar, Modification
(Offsets the Mid-Relief Left or Right)
Offset Left _____" Offset Right _____"
- X22510-03-21-U X-Deep Subasis Bar, Modification
(Increases Depth of the Mid-Relief by 1 3/8")



Lap Belts

- 5200 1" Seat Belt, Plastic Buckle
- 5201 2" Seat Belt, Push Button, Metal Buckle



Slideaway Abductor Kits

- 5270 Small Slideaway Wedge Pad **WPA** Kit
- 5271 Large Slideaway Wedge Pad **WPA** Kit
- 5280 Small Slideaway Contoured Pad **CPA** Kit (3"X4½")
- 5281 Medium Slideaway Contoured Pad **CPA** Kit (3½"X6")
- 5282 Large Slideaway Contoured Pad **CPA** Kit (4½"X7½")
- 5283 X-Large Slideaway Contoured Pad **CPA** Kit (6¼" X 6¼")
- 5284 XX-Large Slideaway Contoured Pad **CPA** Kit (7 X 7¾")

Swingaway Abductor Kits

- 5290 Small Swingaway Wedge Pad **WPA** Kit
- 5291 Large Swingaway Wedge Pad **WPA** Kit
- 5295 Small Swingaway Contoured Pad **CPA** Kit (3"X4½")
- 5296 Medium Swingaway Contoured Pad **CPA** Kit (3½"X6")
- 5297 Large Swingaway Contoured Pad **CPA** Kit (4½"X7½")
- 5298 X-Large Swingaway Contoured Pad **CPA** Kit (6¼" X 6¼")
- 5299 XX-Large Swingaway Contoured Pad **CPA** Kit (7 X 7¾")

Options (SUBstitutions, FABrications, MODifications)

- 9902-2-U Extra Soft Pads, Pair, Upgrade (Use only with Contoured Pads)
 - 9903-2-U Slideaway Adj. Width Mtg Brkt, Short Vertical, Substitution
 - 9904-2-U Swingaway Adj. Width Mtg Brkt, Short Vertical/Short Tail, Substitution
 - 9904-3-U Swingaway Adj. Width Mtg Brkt, Short Vertical/Tall Tail, Substitution
 - 9904-4-U Swingaway Adj. Width Mtg Brkt, Tall Vertical/Tall Tail, Substitution
 - 9904-10-U Swingaway Adj. Width Mtg Brkt, Fixed/Narrow, Substitution
 - 9914-U Swingaway Adj. Width Mtg Brkt, Stub Tail, Substitution
 - 9923-1-U Knob Lanyard for Slide Brackets, Single
 - X23500-01-00-U Custom Abduction Wedge, FAB (2 Weeks)
- (Please include fabrication form, located in the catalog fabrication section, for all FAB's)

Wedge Pad Abductors



Adjustable Width Contoured Pad Abductors



Shoe Holder w/Velcro Straps

- | Pair | Single | |
|----------------------------------|-----------------------------------|------------------------------------|
| <input type="checkbox"/> 5485-10 | <input type="checkbox"/> 5485-10S | Shoe Holder, Velcro Strap, Small |
| <input type="checkbox"/> 5485-30 | <input type="checkbox"/> 5485-30S | Shoe Holder, Velcro Strap, Medium |
| <input type="checkbox"/> 5485-50 | <input type="checkbox"/> 5485-50S | Shoe Holder, Velcro Strap, Large |
| <input type="checkbox"/> 5485-60 | <input type="checkbox"/> 5485-60S | Shoe Holder, Velcro Strap, X-Large |

Shoe Holder w/Buckle Straps

- | Pair | Single | |
|----------------------------------|-----------------------------------|------------------------------------|
| <input type="checkbox"/> 5486-10 | <input type="checkbox"/> 5486-10S | Shoe Holder, Buckle Strap, Small |
| <input type="checkbox"/> 5486-30 | <input type="checkbox"/> 5486-30S | Shoe Holder, Buckle Strap, Medium |
| <input type="checkbox"/> 5486-50 | <input type="checkbox"/> 5486-50S | Shoe Holder, Buckle Strap, Large |
| <input type="checkbox"/> 5486-60 | <input type="checkbox"/> 5486-60S | Shoe Holder, Buckle Strap, X-Large |

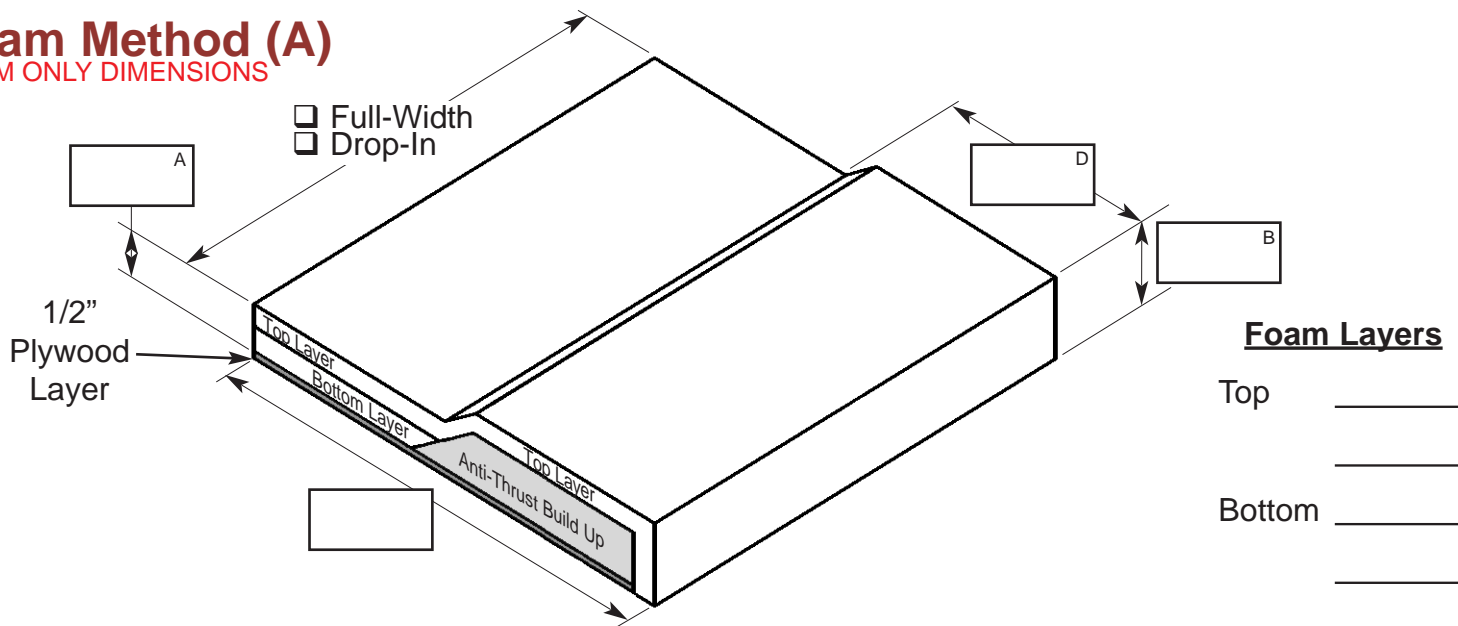


NOTES

Anti-Thrust Seat Modification Part #6106

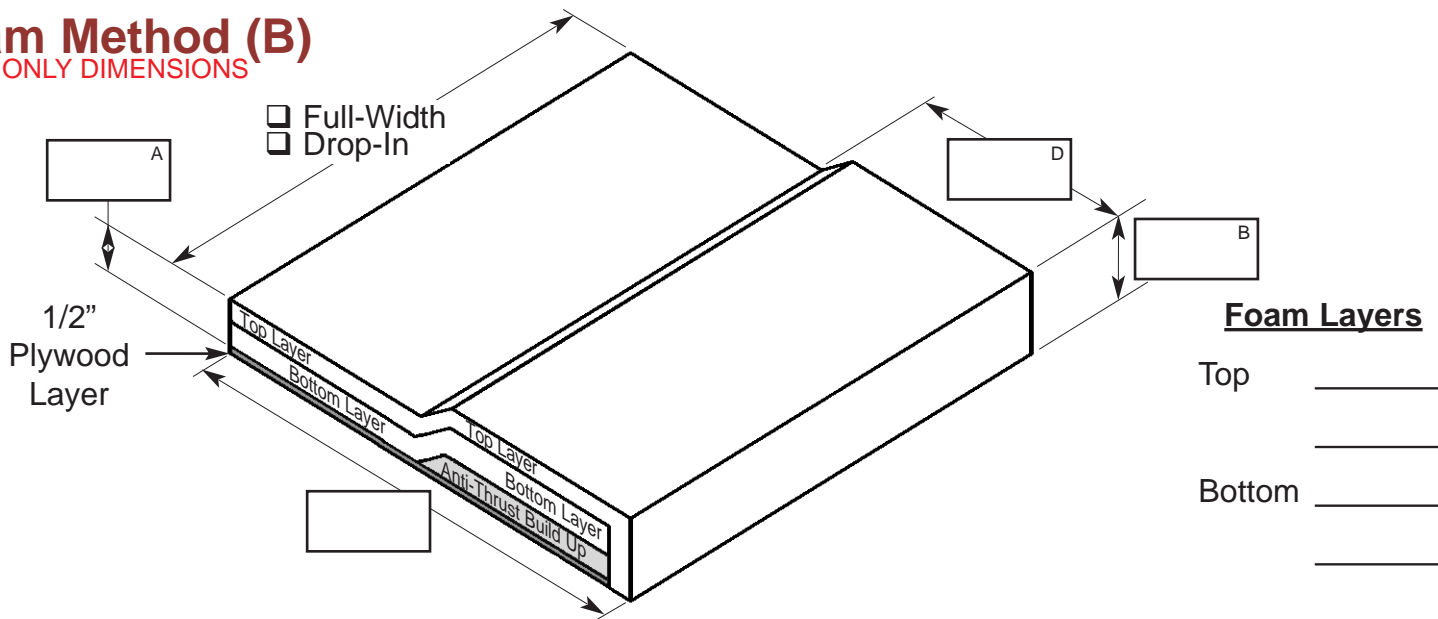
Foam Method (A)

FOAM ONLY DIMENSIONS



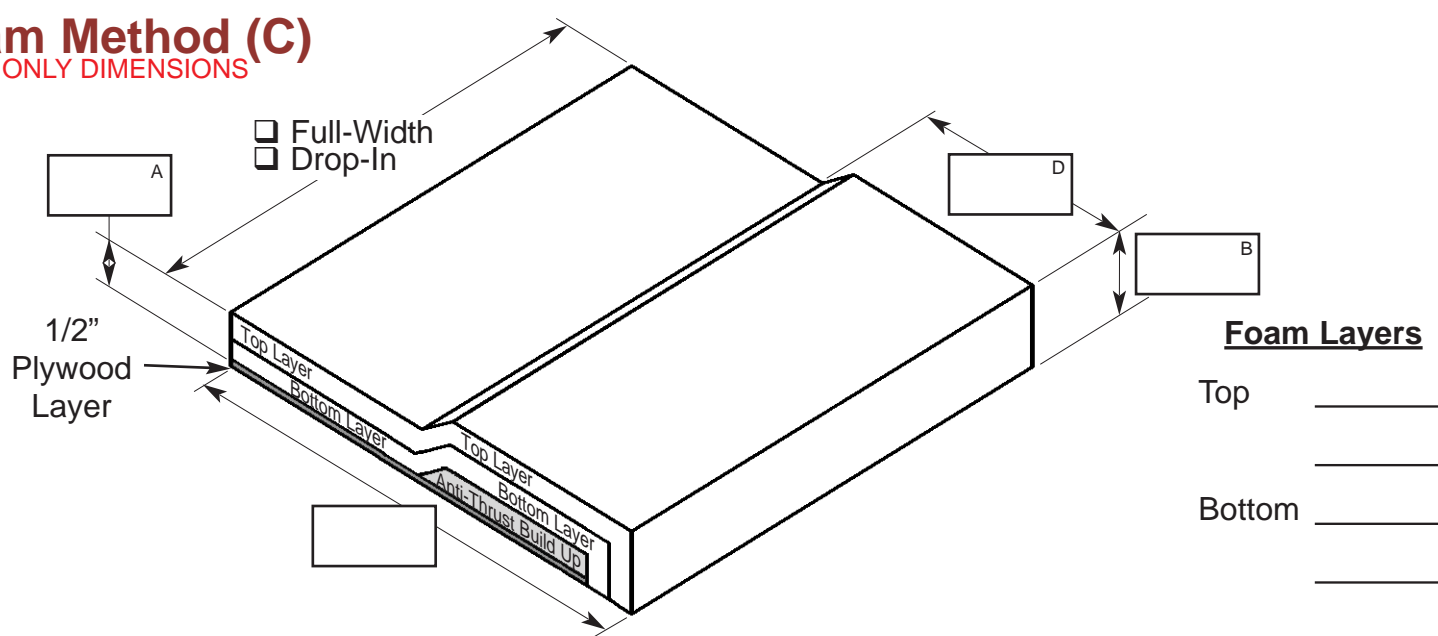
Foam Method (B)

FOAM ONLY DIMENSIONS



Foam Method (C)

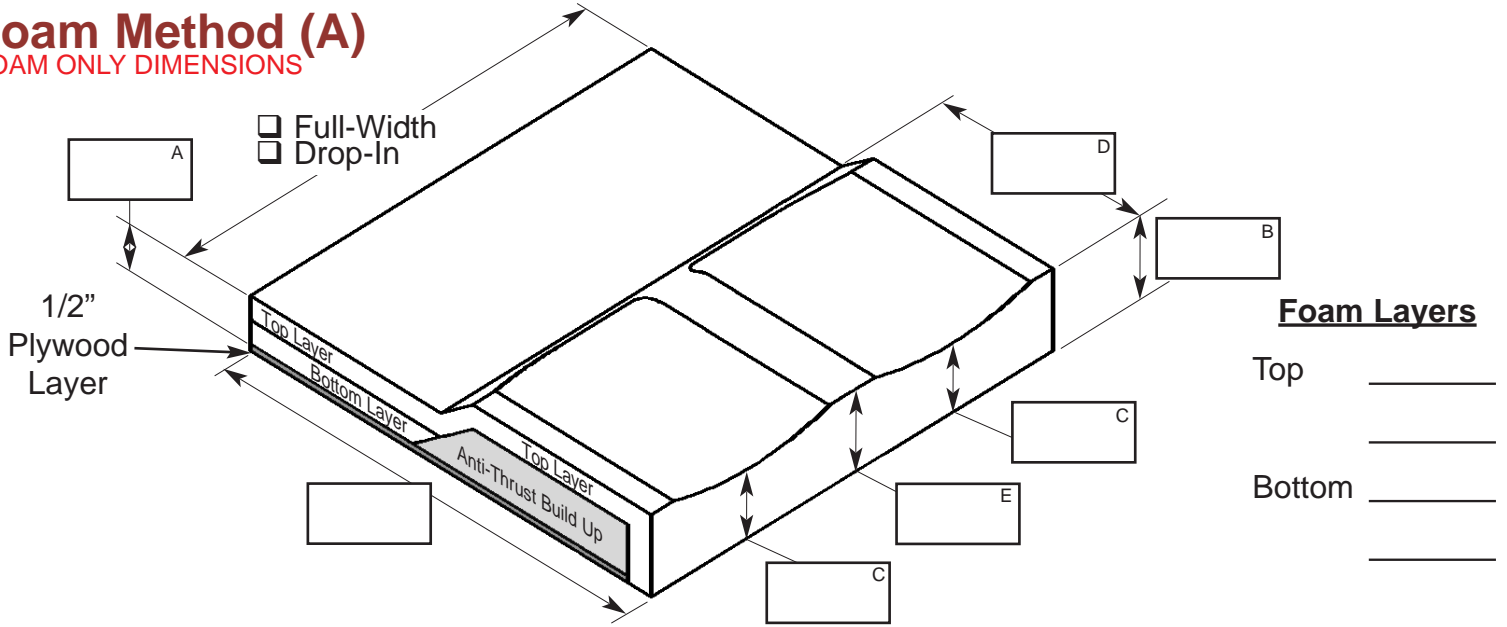
FOAM ONLY DIMENSIONS



Contoured Seat Modification Part #6107

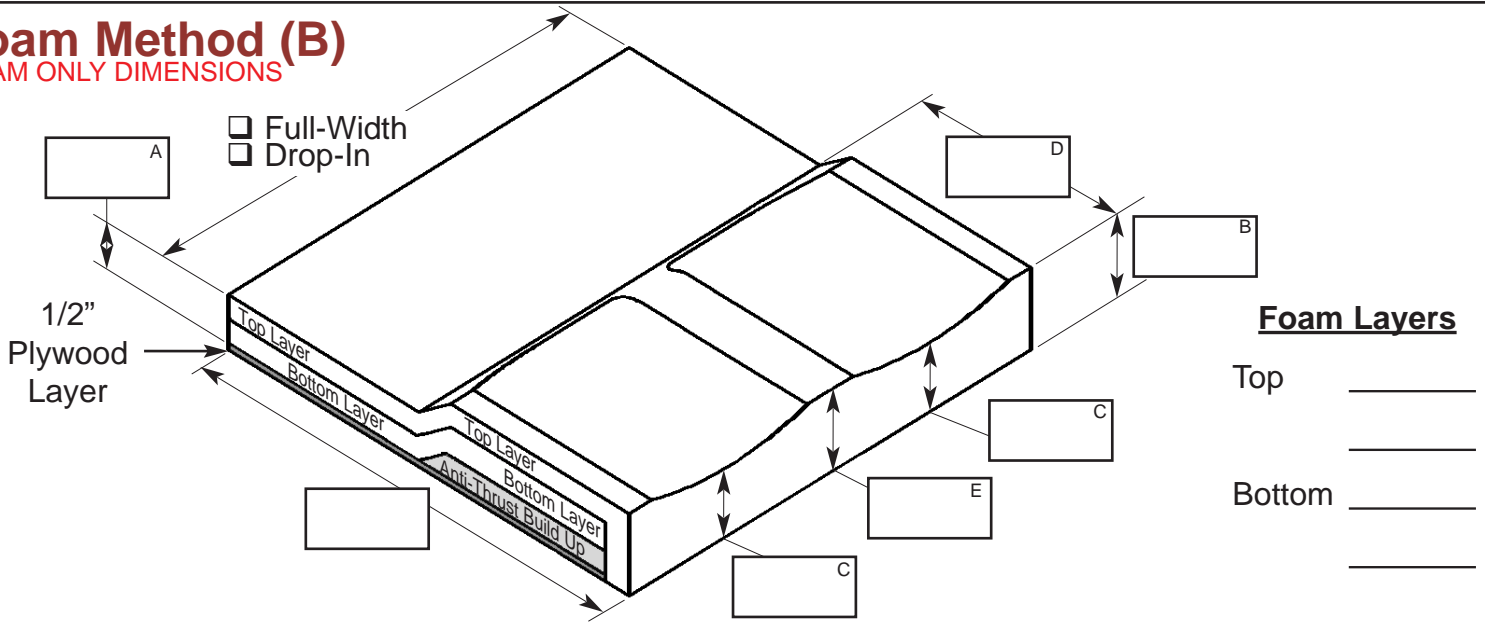
Foam Method (A)

FOAM ONLY DIMENSIONS



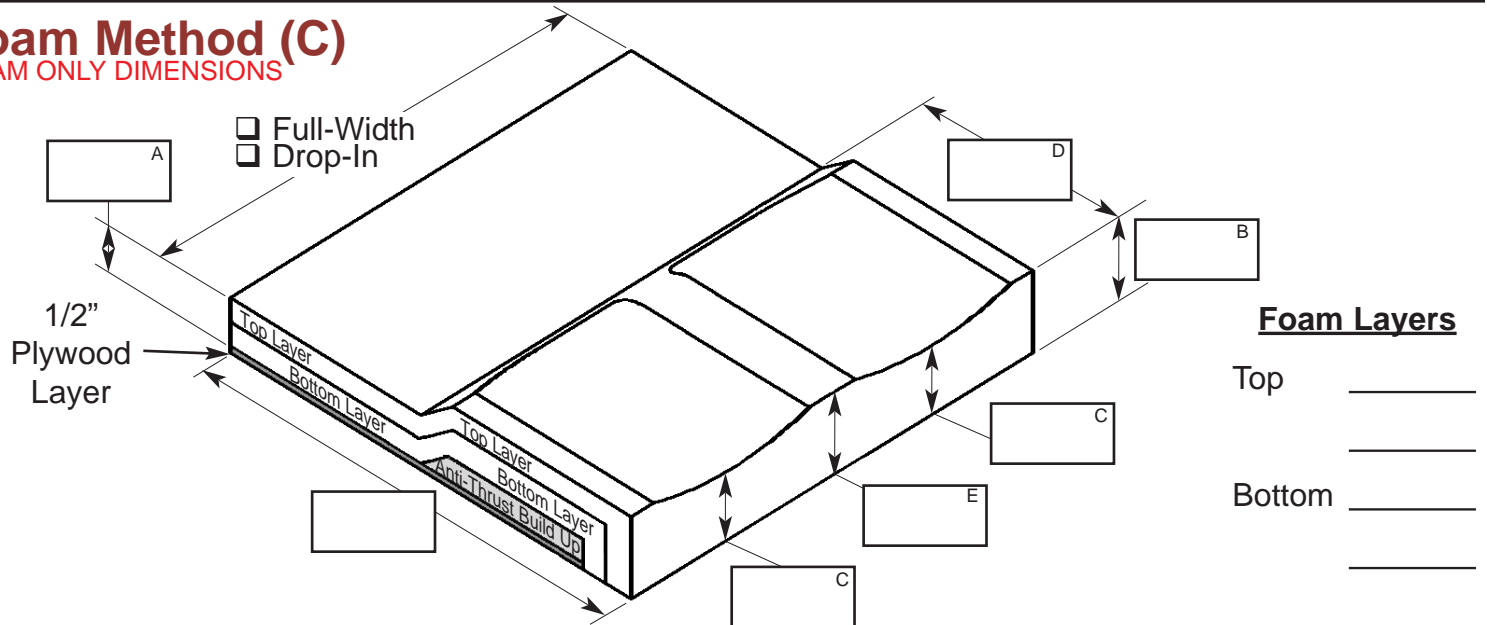
Foam Method (B)

FOAM ONLY DIMENSIONS



Foam Method (C)

FOAM ONLY DIMENSIONS



Contoured Back Modification Part #6202

